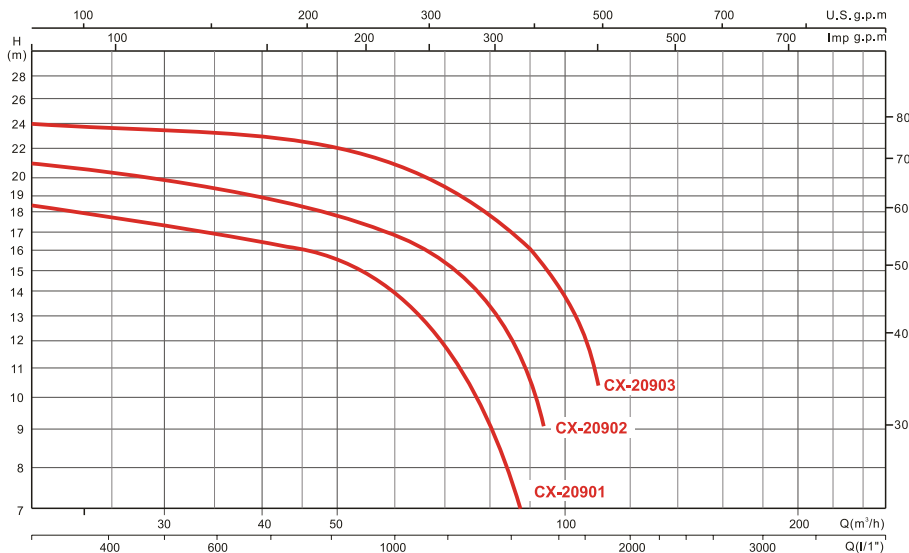


Powerplus Series



Applications:

Recycling and Filtering water for Medium and commercial swimming pools.

Materials:

Pump body, and prefilter in cast iron.
 Impeller in stainless steel AISI 316.
 Shaft in Stainless steel AISI 304
 Mechanical seal in graphite/ceramic.

Motor:

Closed, With external ventilation.
 IP 55 protection.
 Class F insulation.
 Duty: Continuously rated

- Corex Line of cast iron Powerplus pump is designed for use in public pools as well as other installations dedicated to the supply,
- High Flow cast iron pumps.
- Centrifugal electric Pumps for swimming pools, with built-in pre-filter, ideals for high flow at low pressure.
- Pre-filter closed with a knob system of easy accessibility.
- Pump body and pre-filter made in painted cast iron. • Impeller in Stainless steel.
- Motor shaft manufactured in stainless steel AISI3161.
- Pre-filiter basket in stainless steel too.
- Motors with IP-55 protection, at 2.850 r.p.m. tension of mains feed three-phase. • Versions from 5.5HP to 10HP.

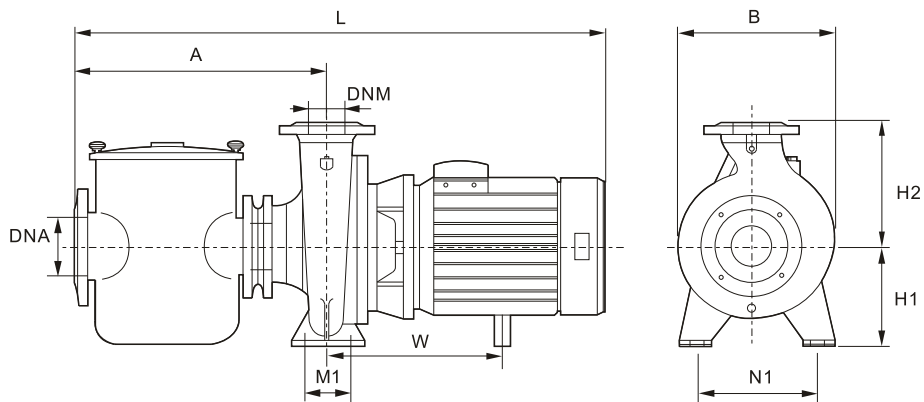
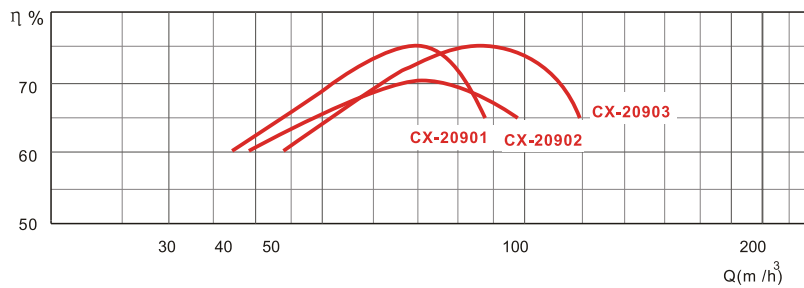
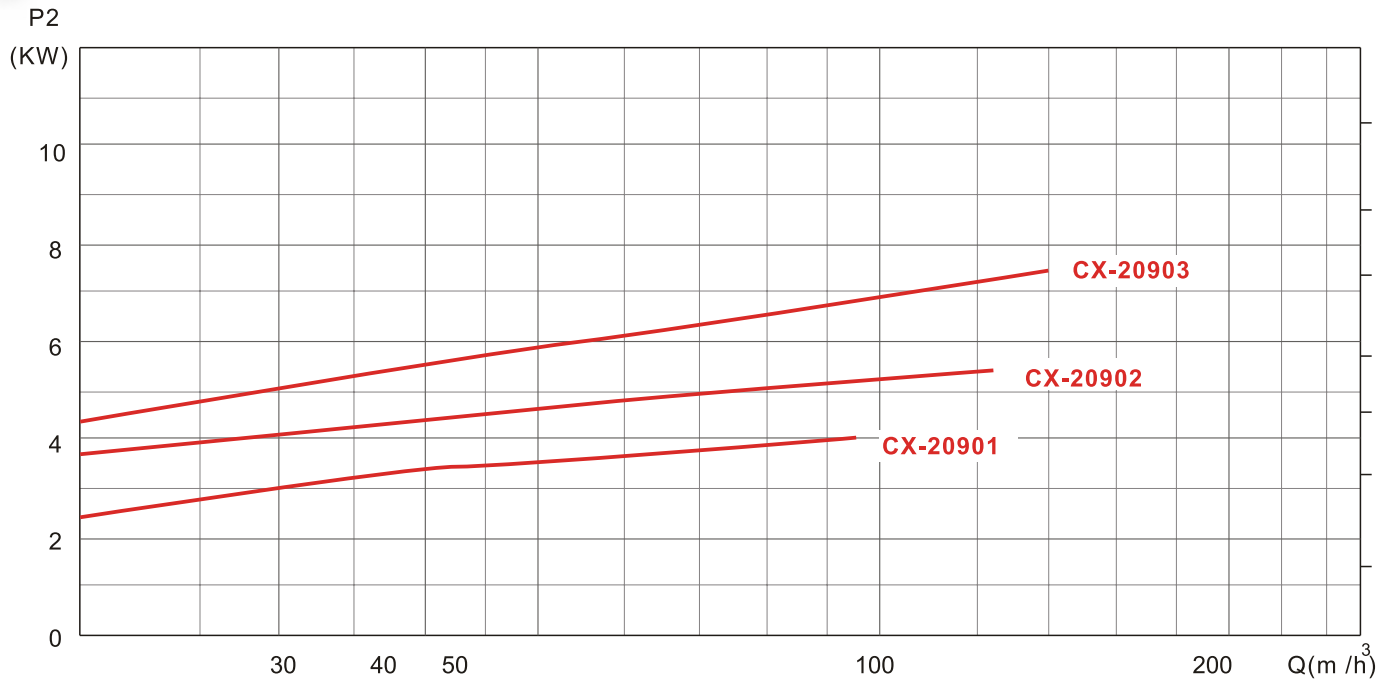
NOTE: On request, this pump can also be supplied in bronze.

Greater stability has also been introduced, thanks to the one-piece cast iron base and pump housing design.

TECHNICAL DATA

Model	P2		V		A		P1(KW)		Q	L/min	0	500	750	1000	1250	1500	1750	
	HP	KW	50HZ	50HZ	220	380	220	380			m³/h	0	30	45	60	75	90	105
CX-20901	5.5	4	220	380	14.4	8.3	4.7	4.7	H(m)	18.5	17.5	16	14	10	5	-		
CX-20902	7.5	5.5	220	380	19.0	11.0	6.3	6.3		21	20.5	19.5	17.5	15	9	-		
CX-20903	10	7.5	220	380	25.6	14.8	8.6	8.6		24	23.5	23	21.5	19	16	10		

Powerplus Series



DIMENSION

	A	B	M1	W	L	N1	H1	H2	DNA	DNM	Kg
CX-20901	495	310	95	292	970	212	162.5	180	Φ100	Φ65	100
CX-20902	495	310	95	310	995	212	162.5	180	Φ100	Φ65	110
CX-20903	495	310	95	310	995	212	162.5	180	Φ100	Φ65	116