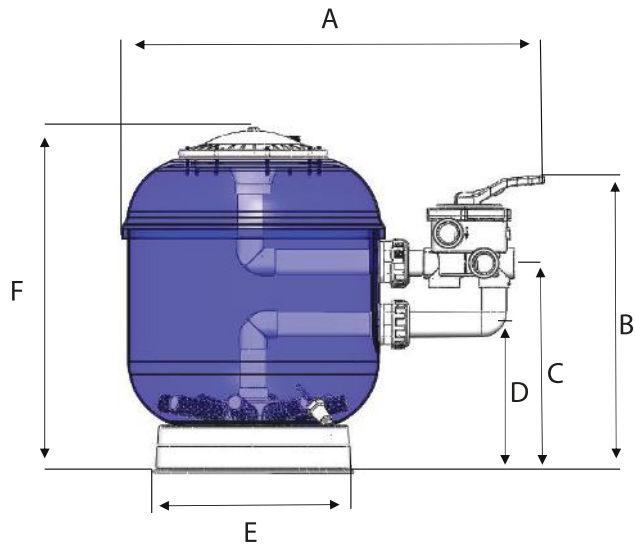


Laminated side mount sand filter. Aesthetics and easy operation.



- The extensive range of Micron laminated sand filters are known for their reliability, making them one of the top-selling filters in the world.
- The collector arms feature a larger diameter (1") for greater filtering surface.
- Micron filters are made of polyester resin and fiberglass. The external layer of colorful gel-coat assures the tank is watertight and at the same time.
- Gives the surface a high gloss end.
- Available from 400mm/16" upto 900m/36".
- Maximum working pressure is 2.5 \ 35.5 PSI.
- Available in 1.5" and 2" connections.
- Available filter colors



Blue



Light Gray



Black

The laminated glossy finish gives the filter a discreet look, for a dynamic unit that adapts to any type of installation.

| Code | Filter D mm | A | B | C | D | F | Connection | Flow Rate m ³ /h | Pool (Volume) m ³ (Hours) | Sand (kgs) | Max working pressure kg/cm ² | Net Weight (kgs) |
|----------|--------------------------------------|------|-----|-----|-----|------|------------|-----------------------------|--------------------------------------|------------|---|------------------|
| CX-10100 | 400(16") Sand Filter with 1.5" valve | 740 | 630 | 420 | 295 | 690 | 1.5" | 6.3 | 53 | 55 | 2.5 | 13.1 |
| CX-10101 | 500(20") Sand Filter with 1.5" valve | 840 | 625 | 415 | 290 | 700 | 1.5" | 9.5 | 76 | 95 | 2.5 | 15.2 |
| CX-10102 | 600(24") Sand Filter with 1.5" valve | 920 | 665 | 455 | 330 | 740 | 1.5" | 15 | 120 | 120 | 2.5 | 18.42 |
| CX-10103 | 750(30") Sand Filter with 2" valve | 1110 | 765 | 555 | 325 | 940 | 2" | 22 | 176 | 250 | 2.5 | 27.4 |
| CX-10104 | 900(36") Sand Filter with 2" valve | 1260 | 870 | 640 | 410 | 1020 | 2" | 32 | 256 | 325 | 2.5 | 35.87 |