

HIGH PERFORMANCE COMMERCIAL PUMP

FOR COMMERCIAL AND HIGH-END RESIDENTIAL SWIMMING POOLS AND OTHER WATER APPLICATIONS

EQ Series pumps are designed for maximum efficiency and quiet operation in every detail. They are the only non-corrosive, all plastic pumps designed for the commercial pool and water applications market.

The EQ Series pump impellers are manufactured for true breakthrough performance, allowing for lower loads and longer motor life. Available with and without the strainer pot. Available in flows to 800 GPM, and from 5.5 to 15 HP.



STANDARD FEATURES

- Close-coupled for quiet, stable flow operation.
- Lightweight for easy, one-man installation.
- Clear Cam and Ramp™ Lid for added service convenience.
- Available in single- and three-phase models, ODP. TEFC motor available three-phase only.
- Closed impeller for long life and durability.
- 6" suction and 4" discharge with strainer pot.
- Great for use with Acu Drive™ XS Variable Frequency Drives.
- Self-priming under NSF standards; NSF Certified.

MATERIALS AND DESIGN

Pump Body

Volute type, back pull-out design.

- Port Size
6" – ANSI Rated 125 bolted flange suction port.
4" – ANSI Rated 125 bolted flange discharge port.
- Material - Volute & Motor Adapter
PPO Resin
- Impeller
PPO Resin
- Base
6061 aluminum design, slotted for mounting ease.
- Corrosion Prevention
All-plastic pump for maximum hydraulic performance and corrosion prevention.

Hair and Lint Strainer

- Material
Separate bolt-on PPO Resin body with plastic basket, Polycarbonate Resin Thermoplastic lid, and stainless steel bolts.
- Size
6" ANSI Rated 125 bolted flange suction and discharge ports.

Pump Maximum Limits

Liquid Temperature: 104° F
Ambient Air Temperature: 104° F

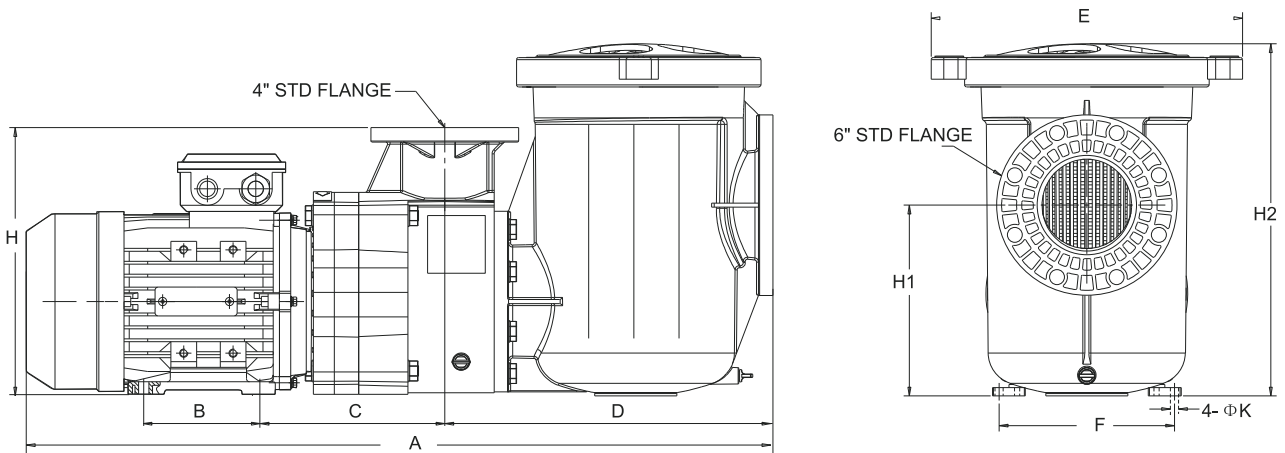
Motor

Standard JM type. Premium Efficient ODP Class F insulated.
On TEFC options, JMZ type, Premium Efficient, Class F insulated.

- Frame Size
NEMA Rated "C" flange. 230/460V are open drip-proof design.
- Shaft
303 stainless steel construction.
- Design
3 to 15 HP, 3500 RPM, JM open drip-proof, continuous duty, three-phase and single-phase (5, 7½, 10 HP). 5 to 15 HP, 3500 RPM JMZ TEFC, continuous duty three-phase.
- Bearings
Double-shielded, single row, deep-groove type, permanently lubricated.
- Thermal Overload Protection
All models require external thermal overload protector.

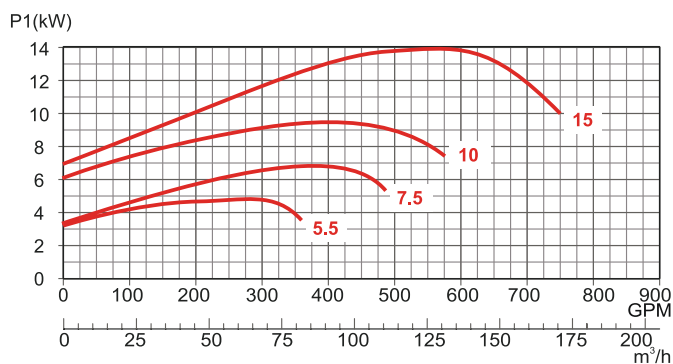
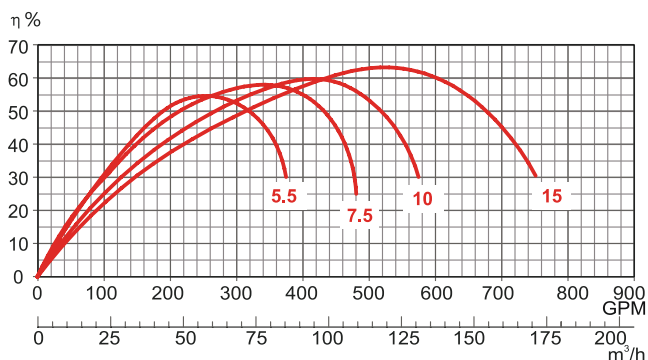
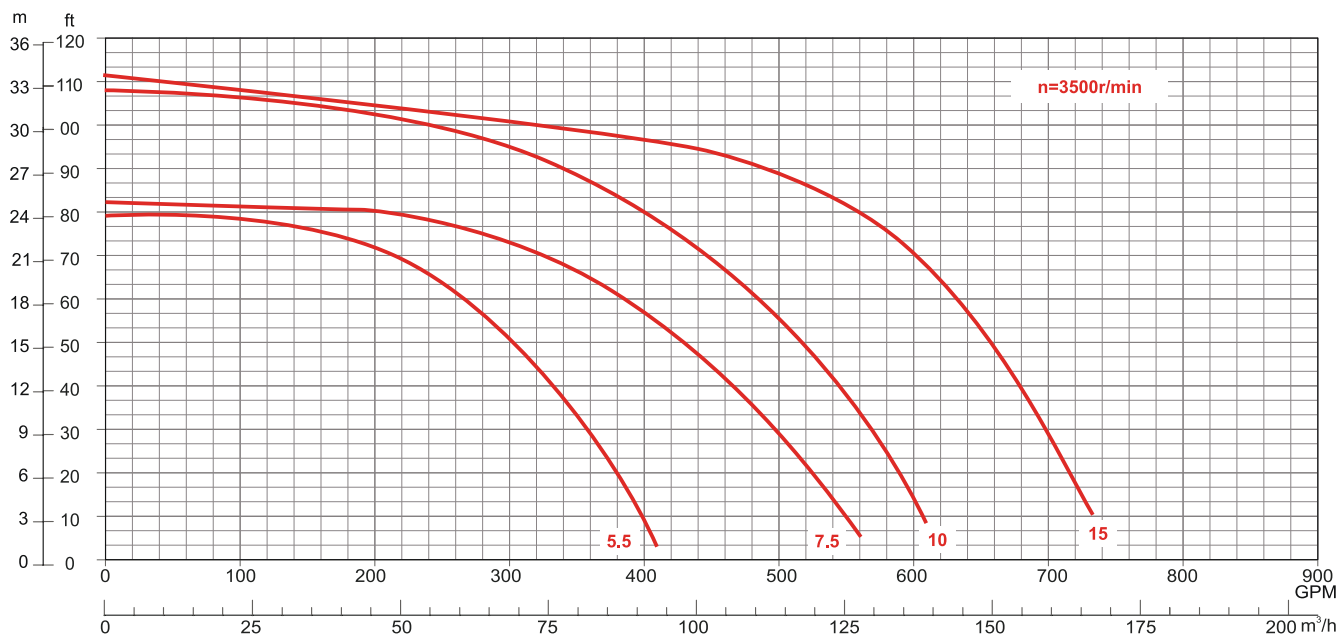
Electrical

- Power Supply Required
Three-phase pumps are 208-230/460. Single-phase models are available in ODP 230v, 60 Hz only.



DIMENSION

Model	A	B	C	D	E	F	H	H1	H2	K
CX-20909	1070	140	279	508	483	190	415	295	546	12
CX-20911	1070	140	279	508	483	190	415	295	546	12
CX-20912	1145	140	279	508	483	190	415	295	546	12
CX-20913	1145	140	298	508	483	216	415	295	546	12



TECHNICAL DATA 60Hz

Model	HP	kW	V		A		Q	GPM								
			3~	3~	3~	3~		0	176	264	352	396	1500	1833	704	
								m³/h								
CX-20909	5.5	4	208-230	460	13.6-12.4/6.2	H(m)	24	20	16	8	2					
CX-209011	7.5	5.5	208-230	460	20.2-18.4/9.2		24.5	23	21	17.5	15	4.5				
CX-209012	10	7.5	208-230	460	24.8-23/11.5		33	31	29	27.5	23	17	6			
CX-209013	15	11	208-230	460	40-36/18		34	32	31	30	29.2	28	22.5	8.5		