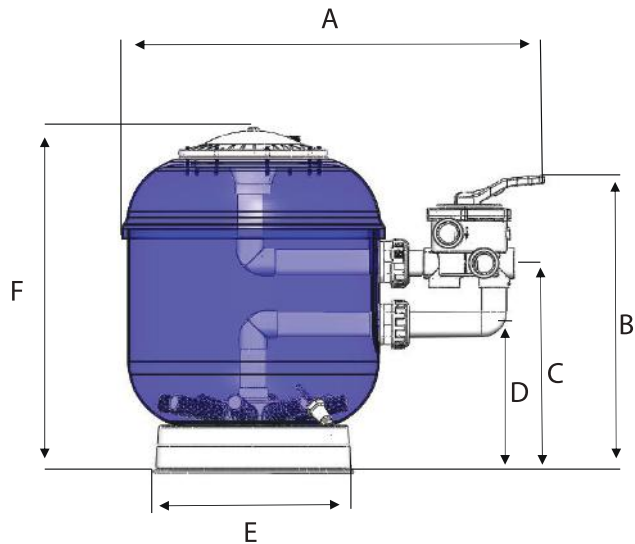


Laminated side mount sand filter. Aesthetics and easy operation.



- The extensive range of Micron laminated sand filters are known for their reliability, making them one of the top-selling filters in the world.
- The collector arms feature a larger diameter (1") for greater filtering surface.
- Micron filters are made of polyester resin and fiberglass. The external layer of colorful gel-coat assures the tank is watertight and at the same time.
- Gives the surface a high gloss end.
- Available from 400mm/16" upto 900m/36".
- Maximum working pressure is 2.5 \ 35.5 PSI.
- Available in 1.5" and 2" connections.
- Available filter colors

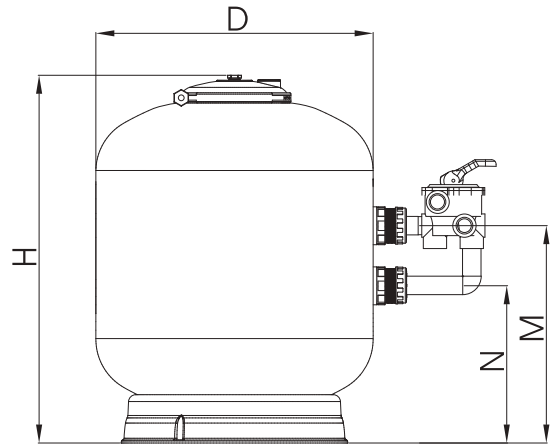


Blue Light Gray Black

The laminated glossy finish gives the filter a discreet look, for a dynamic unit that adapts to any type of installation.

Code	Filter D mm	A	B	C	D	F	Connection	Flow Rate m ³ /h	Pool (Volume) m ³ (Hours)	Sand (kgs)	Max working pressure kg/cm ²	Net Weight (kgs)
CX-10100	400(16") Sand Filter with 1.5" valve	740	630	420	295	690	1.5"	6.3	53	55	2.5	13.1
CX-10101	500(20") Sand Filter with 1.5" valve	840	625	415	290	700	1.5"	9.5	76	95	2.5	15.2
CX-10102	600(24") Sand Filter with 1.5" valve	920	665	455	330	740	1.5"	15	120	120	2.5	18.42
CX-10103	750(30") Sand Filter with 2" valve	1110	765	555	325	940	2"	22	176	250	2.5	27.4
CX-10104	900(36") Sand Filter with 2" valve	1260	870	640	410	1020	2"	32	256	325	2.5	35.87

Bobbin side mount sand filter. Robust and effective.

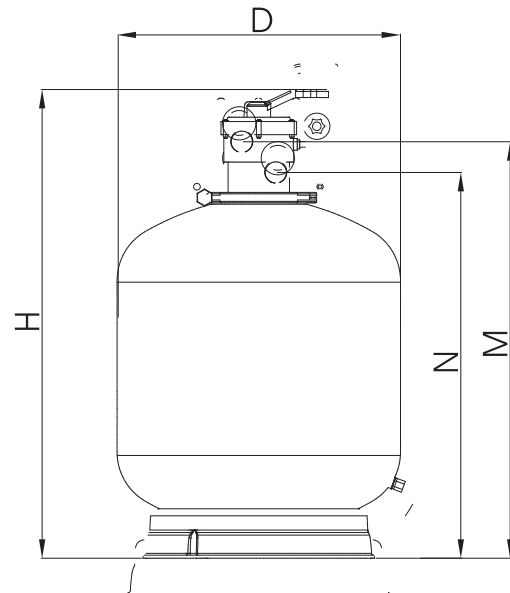


- The filter tank is made of an inner fiberglass with a high pressure capability.
- The gel coat layer is then continuously wound with fiber glass strands to create a high strength vessel.
- This process is recognize as one of the strongest methods of manufacturing a non corrosive high strength filter tank.
- All components are injection moulded from high strength engineering plastics.
- Available from 460mm/18" upto 900mm/36".
- Inner component materials are made of the latest generation plastic resins.
- The cover is fixed with a clamp system that is easy to rmove and quickly locks in place.
- The maximum working pressure is 2.5kgs/cm.
- Sand filters go together with valve for models using 1.5" and 2" connections.

Bobbin-S sand filters are well recognized for their strength and reliability

Code	Description	ø Filter D mm	Size			Connections	Flow rate m ³ /h	Pool (volume) m ³ (8 hours)	Sand (kgs)	Max working pressure kg/cm ²	Net weight (kgs)
			H mm	A mm	B mm						
CX-10501	460mm(18") Sand filter with 1.5" valve	460	590	418	282	1.5"	8	64	75	3	15
CX-10502	700mm(28") Sand filter with 2" valve	700	855	515	285	2"	21	168	200	2,5	20,6
CX-10503	900mm(36") Sand filter with 2" valve	900	1030	675	405	2"	24	192	410	2,5	28,6

Bobbin Top mount sand filter Robust and effective

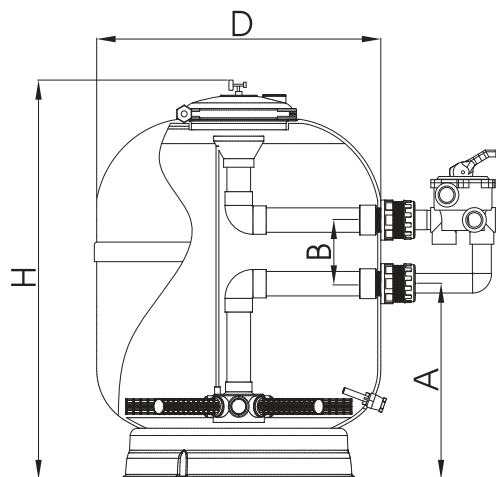


- **Bobbin-T filters** are well recognized for their strength and reliability.
- The filter tank is made of an inner fiberglass with a high pressure capability.
- The gel coat layer is then continuously wound with fiber glass strands to create a high strength vessel.
- This process is recognized as one of the strongest methods of manufacturing a non corrosive high strength filter tank.
- All components are injection moulded from high strength engineering plastics.
- The multiport valve is fixed with a clamp system that is easy to remove and quickly locks in place.
- The maximum working pressure is 2.5kgs/cm.
- **Bobbin-T Filters** go together with valve for models using 1.5" and 2" connections.

Inner component materials are made of the latest generation of plastic resins.

Code	Description	Ø Filter D mm	Size			Connections	Flow rate m ³ /h	Pool (volume) m ³ (8 hours)	Sand (kgs)	Max working pressure kg/cm ²	Net weight (kgs)
			H mm	M mm	N mm						
CX-10401	400mm(16") Sand filter with 1.5" valve	400	820	710	650	1.5"	6	48	50	2,5	12
CX-10402	500mm(20") Sand filter with 1.5" valve	500	895	785	725	1.5"	10	80	100	2,5	16
CX-10403	600mm(24") Sand filter with 1.5" valve	600	980	880	820	1.5"	14	112	150	2,5	18,5

Laminated Polyester Glassy Finish Side Mounted Sand Filter



Euro series Glossy finish sand filter, internal FRP double bowl for safety exterior glossy finish. High demand sand filter for Europe and Asian Market.

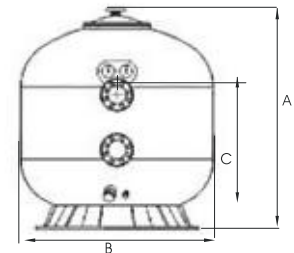
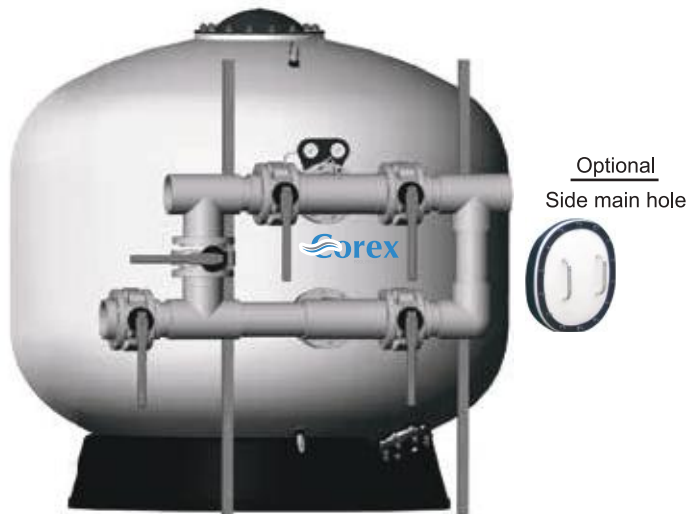
- * Easy-to-read top mounted pressure gauge with manual air relief.
- * Easy-to use water drain for simplified service and wintering.
- * All filter fittings and threaded to easy servicing.

POLYESTER SAND FILTERS WITH GLOSSY FINISH

The sand filters are manufactured with monobloc polyester resin and fibreglass with boltless lid and polypropylene base. Equipped with pressure gauge, water drainage plug, and multiport valve. Side Model .Prices include multiport valves , exclude Sand.

Code	Description	ø Filter D mm	Size			Connections	Flow rate m³/h	Pool (volume) m³ (8 hours)	Sand (kgs)	Max working pressure kg/cm²	Net weight (kgs)
			H mm	A mm	Dmm						
CX-10201	500mm (20") Sand Filter with 1.5" valve	500	736	320	500	1.5"	10,00	64	75	2,5	15
CX-10202	620mm (26") Sand Filter with 1.5" valve	620	798	326	620	1.5"	15,00	168	200	2,5	20
CX-10203	760mm (32") Sand Filter with 2" valve	760	911	330	760	2"	22,00	192	410	2,5	31
CX-10204	920mm (38") Sand Filter with 2" valve	920	124	394	920	2"	30,00	192	450	2,5	38

Hi-Rate Commercial Bobbin wound Sand Filter



- Filter tank made from polyester and non-corrosive fiberglass..
- All internal components and connections are injection moulded PVC.
- Extra deep sand bed allows for efficient filtration and backwashing.
- Designed to be assembled with Butterfly valve. 2x3" oil pressure gauges are included.
- Large service opening (manhole) gives easy access to inside part of filter (optional).
- Sight glass made of top quality material (optional).
- Maximum operating pressure 2.5kgs/cm²
- UV-resistant surface enables the filters to work in the direct sunlight.
- 4kgs/cm². Available on demand.
- Available filter colors



Best choice for efficient water filtration of a public swimming pool or an industrial water treatment system.



3 inch Multi port-valve

Code	Description	Tank dia B (mm)	Height A (mm)	Valve height C (mm)	Valve port size (mm)	Filter area (m ²)	Design flow (m ³ /h)	Silica sand (kgs)
CX-10601	1200mm (48")	1200	1450	900	90	1.13	52	1200
CX-10602	1400mm (56")	1400	1650	1000	110	1.54	69	1900
CX-10603	1600mm (64")	1600	1800	1100	110	2.00	80	2600
CX-10604	1800mm (72")	1800	1900	1300	140	2.70	125	3600
CX-10605	2000mm (80")	2000	2150	1350	160	3.14	157	5100
CX-10606	2350mm (94")	2350	2350	1500	200	4.30	217	7600
CX-10607	2500mm (100")	2500	2650	1600	250	4.90	250	9200

CARTRIDGE FILTER CRYSTAL CLEAR WATER THE EASY WAY

COREX cartridge filter combines top-end filter performance with low maintenance. This dependable design uses special filter elements to strip tiny particles from your pool water particles as small as 30 microns (an average grain of beach sand is 1,000 microns). Our four-cartridge design provides maximum filter surface area to capture more dirt and extends time between cleaning. And cleaning is a snap. Open the top, remove the cartridges, hose them off and COREX is ready to go again.

We've maximized cartridge surface consistency to block and trap the maximum amount of solids, plus we use the most durable materials to extend cartridge life. COREX delivers commercial-grade performance that keeps pools clean and sparkling, day in and day out.

- Four-cartridge design traps more dirt and extends time between cleanings.
- Cartridges are easy to remove and rinse.
- Clamp ring allows easy access to cartridges and internal parts to speed service routines.
- 1" drain is easy to access and located to ensure complete draining during winterization.
- Fiberglass-reinforced polypropylene tank is strong and corrosion resistant for extra long life.

COREX BRAND PRODUCT

COREX brand identifies our "greenest" and most efficient equipment choices. Water flows very efficiently through the COREX filters, often allowing the use of smaller pumps or lower pump speeds to minimize energy use. And when you rinse cartridges rather than backwash, you can significantly reduce water use, too.

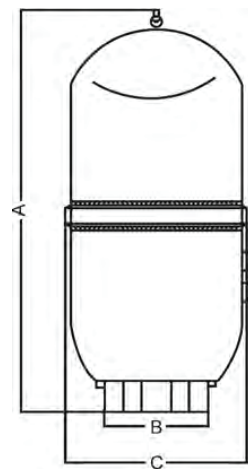
Four cartridges in a compact design

COREX Pool cartridge filters contain four polyester cartridges that hold enormous amounts of dirt, yet are easy to clean. The fiberglass-reinforced tank halves are secured with an innovative clamp ring—just loosen the ring and remove the top half for easy cartridge access and rinsing. Filter maintenance doesn't get any easier.

- Continuous internal air bleed prevents air build-up to keep the filter operating at peak performance.
- Single-piece base and body for strength, stability and years of dependable service.



Cartridge Filter Dimensions			
Model#	Dim. A	Dim. B	Dim. C
CX-10701	1070mm	410mm	590mm
CX-10702	1220mm	410mm	590mm
CX-10703	1370mm	410mm	590MM



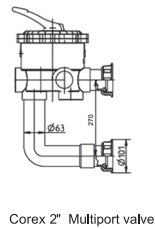
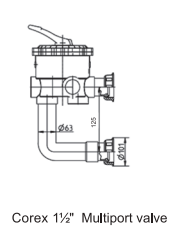
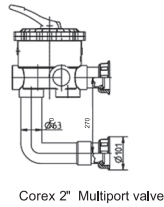
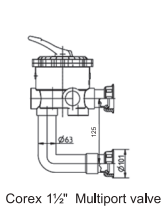
Model Number	Filter Area Sq.Ft.	Vertical* Clearance	Filter Diameter	Flow Rate GPM		Turnover Capacity-Res. (Gallons)		
				Res.**	Com.	8 hrs	10 hrs	12 hrs
CX-10701	320	62"	21.5"	120	120	57,600	72,000	86,400
CX-10702	420	68"	21.5"	150	150	72,000	90,000	108,000
CX-10703	520	74"	21.5"	150	150	72,000	90,000	108,000

MULTIPOINT VALVE

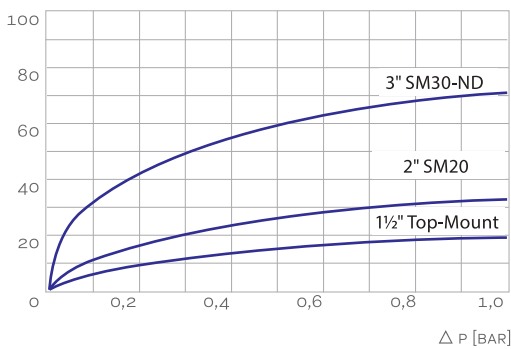
Corex 6 WAY VALVE 1 1/2", 2", 3" back wash valve "Side Mount" (SM)

Characteristics:

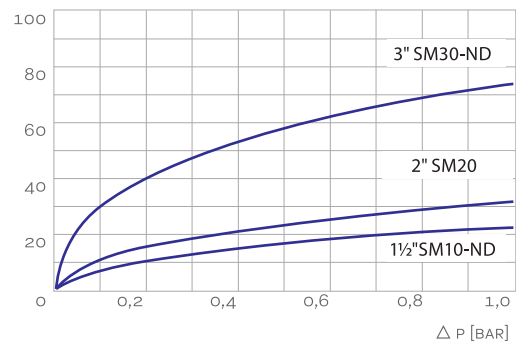
Easy handling, clear, multi function and non-smudging laser marking, optimal flow and pressure loss rates, extreme low-noise operation, made of high quality, UV resistant and impact resistant ABS materials, use of very durable sealing materials and pressure springs, installed on the valve plate, pressure tightness and operation tests according to DIN 3230, easy installation of our manual and automatic back wash valve. Available in 1 1/2", 2", 3" ABS (3,5 bar) and in various colours and connection models.



Pressure loss Back wash

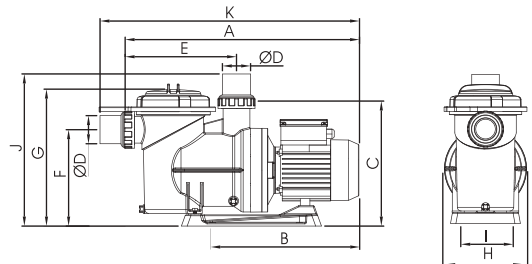
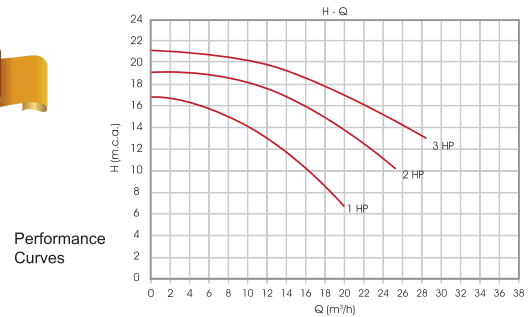


Pressure loss Filter



Model	Dimensions	Pressure / 20 degree	Size	Recommended Flow rate "Filter"	Body connection	Colour
03021201B	125mm	3,5 bar	1 1/2"	17 m ³ /h	BSP/NPT female thread DIN mm /ASTM imperial solvent connections	white, black other colours on request.
03021202	230mm	3,5 bar	2"	27 m ³ /h		
03021202B	230mm	3,5 bar	2"	27 m ³ /h	ABS Material TPE/EPDM	
03021203B	270mm	3,5 bar	2.5"	47 m ³ /h		
03021204B	270mm	3,5 bar	3"	56 m ³ /h		

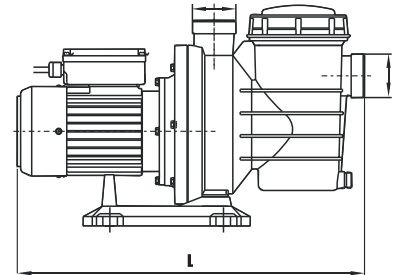
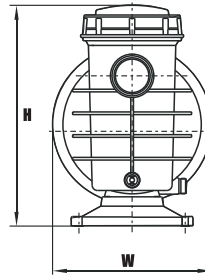
Self-priming pump. Efficient flow



- The **Marathon Max** pump is built to be quiet, durable and reliable.
- The motor materials are rustproof, with a stainless steel motor shaft and sealed bearings that never need lubrication. The thermoplastic housing is built to withstand extreme heat and resist corrosion.
- New **Marathon Max** can deliver cost benefits as it moves the same amount of water but consumes less energy than the previous model.
- It includes a pre-filter with a large strainer to prevent the entry of any foreign objects which could cause damage to the hydraulic parts of the pump.
- Large strainer basket extends time between cleaning.
- See-through lid makes inspections fast and easy.
- Options include a 316SS shaft for salt water. 230V and 60Hz motors as well as Thai, Australian and British connections.
- **TUV GS** Certified.

Its Hydraulic design moves water more efficiently and quietly than any other pump in its category,

Code	Model	H m.w.c	Flow m³/h	Max dB (A)	A	B	C	D	E	F	G	H	I	J	K
CX-20401	1 HP Single Phase	10	16,4	65	611	388	321	50	285	246	355	224	152	392	663
CX-20402	2 HP Single Phase	12	23,0	70	646	423	321	63	285	246	355	224	152	392	698
CX-20403	3 HP Single Phase	14	35,0	70	686	463	321	63	285	246	355	224	152	392	738
CX-20404	1 HP Three Phase	10	16,4	65	611	388	321	50	285	246	355	224	152	392	663
CX-20405	2 HP Three Phase	12	23,0	70	656	433	321	63	285	246	355	224	152	392	708
CX-20406	3 HP Three Phase	14	35,0	70	686	463	321	63	285	246	355	224	152	392	738



Applications:

Recycling and filtering of water from small and medium swimming pools.

Materials:

High-strength engineering mechanical plastics with high-quality wear-resistant mechanical seal (SUS316), available for both fresh water and sea water.

O Ring in NBR.

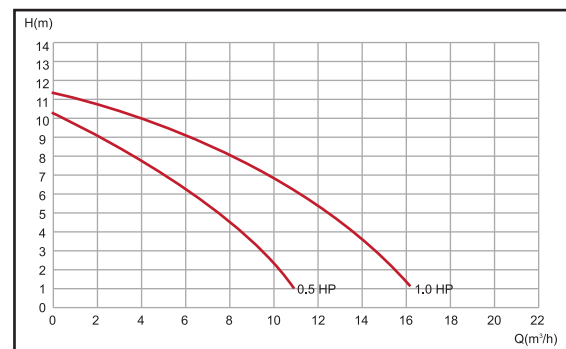
Motor casing in aluminium.

Features

CX-ESP Series

- Pump inlet / outlet with external thread can connect with metric / imperial pipe, more convenient to operate.
- Lower noise, can lower than 67 DB.
- Thermal protection included.
- Liquid temperature: 5-50 t.
- Ambient temperature: up to 45 °c.
- Waterproof: IP 55.
- The pump bear 25000 times of impact test, excellent performance and reliable quality.

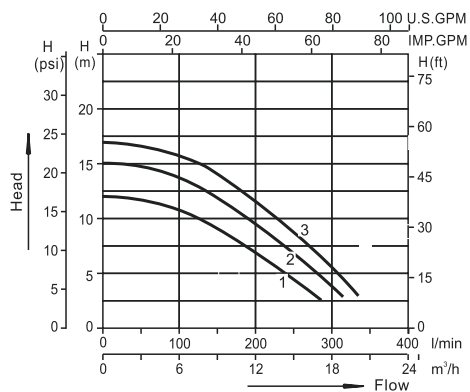
QH. Curve of the Pump



Model	Horsepower (HP)	Phase	Rated Power (KW)	Voltage	Inlet Port Dia (inch)	Outlet Port Dia (inch)	L Length (mm)	W Width (mm)	H Height (mm)
CX-20301	0.5	single	0.37	220V	1.5"	1.5"	460	160	230
CX-20302	1	single	0.75	220V	1.5"	1.5"	485	160	230



Performance curves



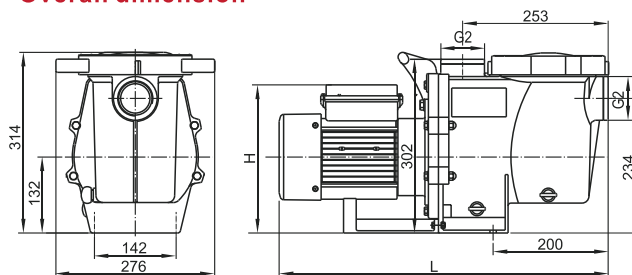
Working conditions

- Medium temperature: 5-50°C
- Environmental temperature: ≤50°C
- Max. working pressure: 0.3MPa

Features

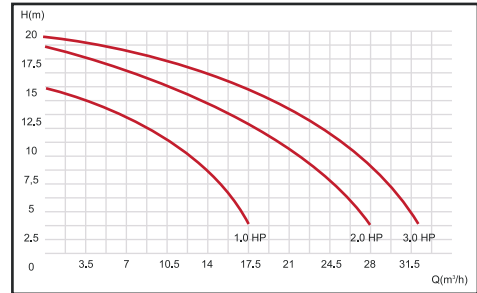
- * Single body design provides for quiet operation.
- * Higher performance with a lower power consumption.
- * Made from high-temperature, engineered thermoplastic to withstand extreme heat and prevent corrosion design for longer life.
- * Easy installation and trouble free servicing. corrosion resistant, high-grade stainless steel motor shaft.
- * Thermal protection included in phase pentek motors.

Overall dimension

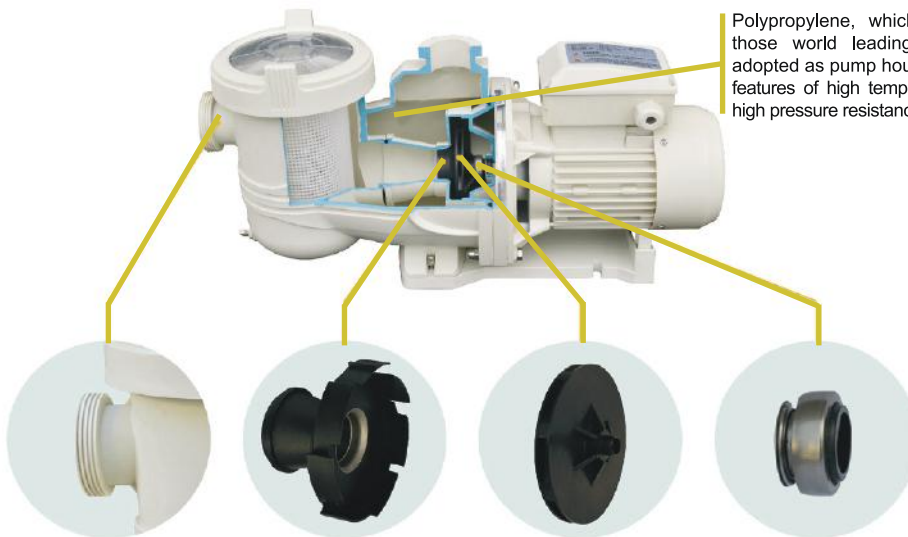
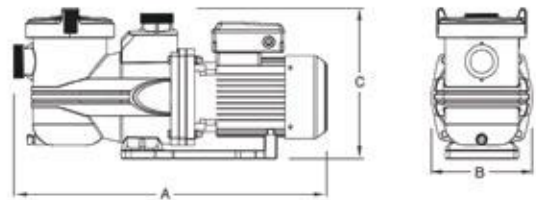


Technical Data

Model	Power(P1)		V/Hz	Hz	Qmax (l/min)	Hmax (m)	(curves)	Packing size (mm)
	kW	HP						
CX-20701	0.75	1.0	220	50	18.9	15	1	635×310×370
CX-20702	1.5	2.0	220	50	28.8	21	2	635×310×370
CX-20703	2.2	3.0	220	50	33.0	22	3	635×310×370
CX-20704	1.5	2.0	380	50	28.8	21	2	635×310×370
CX-20705	2.2	3.0	380	50	33.0	22	3	635×310×370



Pump housing: polypropylene 35% fiberglass
 filter basket: Polypropylene
 Shaft: SS316
 Mechanical seal: Carbon + Resin – Ceramics (Carbon, Ceramics, SS304, NBR)
 Impeller: Noryl + 30% Fiberglass
 Diffuser and pump base: PP+35% fiberglass
 Insulation class F Thermal protection this pump can bear 25000 times of impact test. Excellent performance & Reliable quality.



Polypropylene, which is widely used in those world leading pumps, has been adopted as pump housing material, with the features of high temperature resistance and high pressure resistance.

Pump inlet / outlet with external thread can connect with metric / imperial pipe, more convenient to operate.

The Pump diffuser in cone shape and cambered surface ensures the operation of high head and mass flow, and at the same time effectively reduces cavitations as well as flow noises (The 0.75HP pump produces less than 65DB noises).

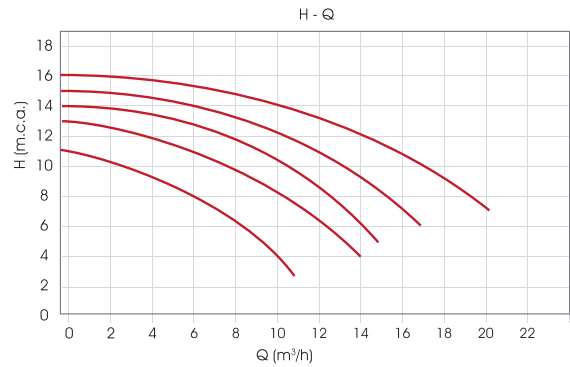
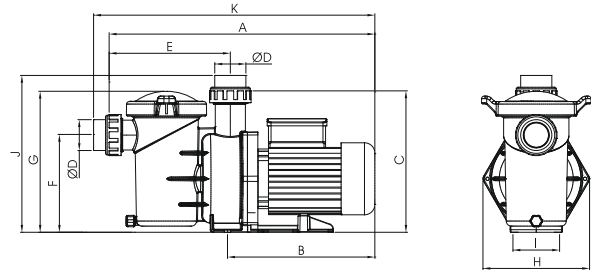
The impeller uses locknut and locating pin to increase the stability of its operation.

Mechanical seal adopts ceramic carbon material which is resistant to high temperature and dry grinding. This not only enhances the pump shaft's sealing, but also increases the operational capacity of short-term dry run.

Model	Horsepower (HP)	Phase	Rated Power (KW)	Voltage	Inlet Port Dia (inch)	Outlet Port Dia (inch)	A Length (mm)	B Width (mm)	C Height (mm)
CX-20201	1	1	0.75	220V	1.5	1.5	595	200	295
CX-20202	2	1	1.5	220V	1.5	1.5	605	200	295
CX-20203	3	1	2.2	220V	2.0	2.0	605	200	295
CX-20204	1	3	0.75	380V	1.5	1.5	595	200	295
CX-20205	2	3	1.5	380V	1.5	1.5	605	200	295
CX-20206	3	3	2.2	380V	2.0	2.0	605	200	295

WISPER PLUS

Self-priming pump. Multi-purpose pump

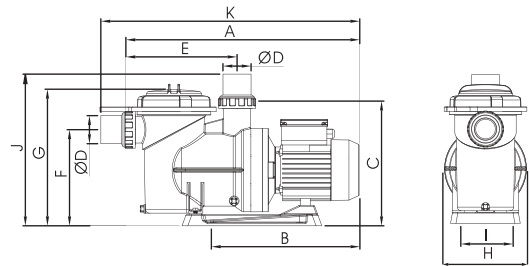
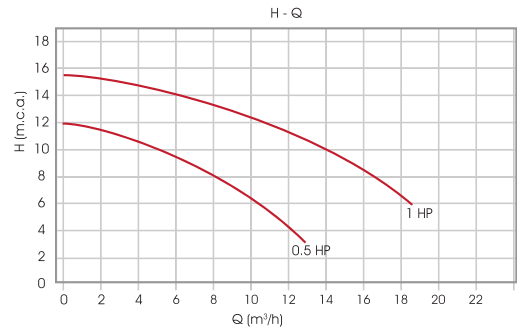
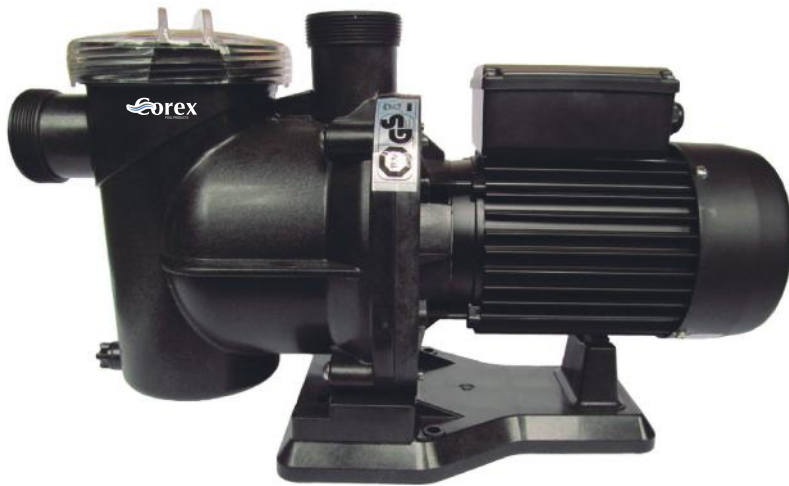


- The **Wisper Plus** is user friendly, built with a see-through lid for easy inspection, easy-to-remove drain plugs and a large strainer to extend the time between cleaning.
- The motor materials are rustproof with a stainless steel motor shaft and sealed bearings that never need lubrication.
- The Thermoplastic housing is built to withstand extreme heat and resist corrosion.
- A new cover nut makes easy maintenance operations in the strainer.
- Every **Wisper Plus** pump is performance and pressure tested prior to shipment to ensure superior quality.
- Option include a 316SS shaft for salt water. 230V and 60Hz motors as well as Thai, Australian and British connections.
- **TUV GS** Certified.

All the materials have been selected with a unique target that is to make **Wisper Plus** strong and durable.

Code	HP Model	Type	H m.w.c	Flow m³/h	A	B	C	D	E	F	G (mm)	H	I	J	K
CX-20505	050	230V 50HZ SINGLE PHASE	8	7,8	470	248	269	50	230,5	189	274	205	82	297	495
CX-20506	100		12	8,8	490	268	269	50	230,5	189	274	205	82	297	515
CX-20507	125		12	11,5	500	278	269	50	230,5	189	274	205	82	297	525

Self-priming pump, Pool pump



- The **Wisper** is user friendly, built with a see-through lid for easy inspection, steel easy-to-remove drain plugs and a large strainer to extend the time between cleaning. The motor materials are rustproof with a stainless steel motor shaft and sealed bearings that never need lubrication. Thermoplastic housing is built to withstand extreme heat and resist corrosion.
- Every **Wisper** pump is performance and pressure tested prior to shipment to ensure superior quality.
- Option include a 316SS shaft for salt water. 230V and 60Hz motors as well as Thai, Australian and British connections.
- A pre-filter has been integrated into the body of the pump to prevent the entry of any foreign bodies which could cause damage to the hydraulic parts of the pump. The motors supplied with the motor pump unit have been protected with IP-55 protection and are adapted to withstand hot atmospheres and high humidity levels.
- **TUV GS** Certified.

Is designed to work under a vast range of conditions and pool types.

Code	Model	H m.w.c	Flow m³/h	Max dB (A)	A	B	C	D	E	F	G	H	I	J	K
CX-20501	1/2HP Single Phase	6	8	7,8	509	225	290	50	227,5	210	295	199	142	325	544
CX-20502	1HP Single Phase	10	12	8,8	519	235	290	50	227,5	210	295	199	142	325	554
CX-20503	1HP Three Phase	10	12	8,8	519	235	290	50	227,5	210	295	199	142	325	554

Quiet running single-stage centrifugal pump, self-priming, complete with prefilter.

Applications:

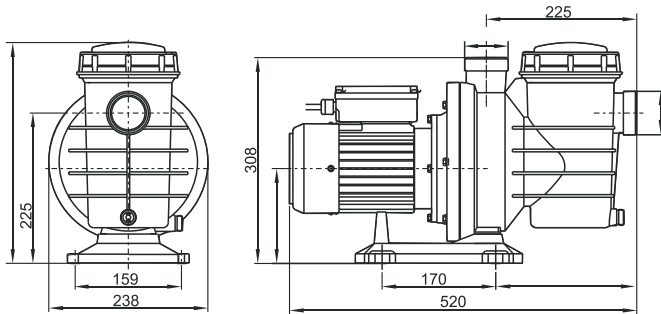
Recycling and filtering of water from small and medium swimming pools.

Materials:

High-strength engineering mechanical plastics with high-quality wear-resistant mechanical seal (SUS316), available for both fresh water and sea water.

O Ring in NBR.

Motor casing in aluminium.



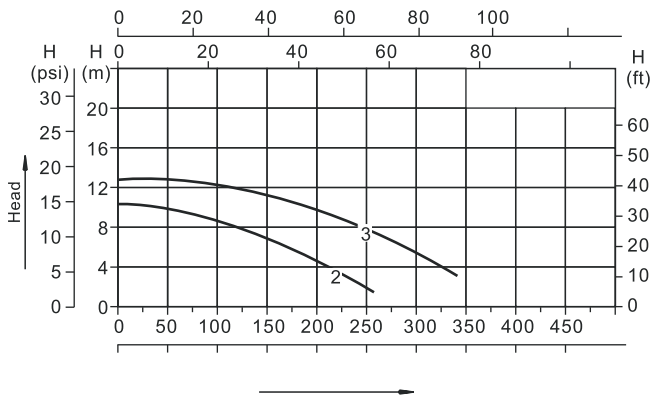
Motor:

- Asynchronous, two poles.
- Electric pump over-current components using IP 55 protection.
- Class F insulation.
- Continuous operation.
- Single phase version with built-in thermal protection.

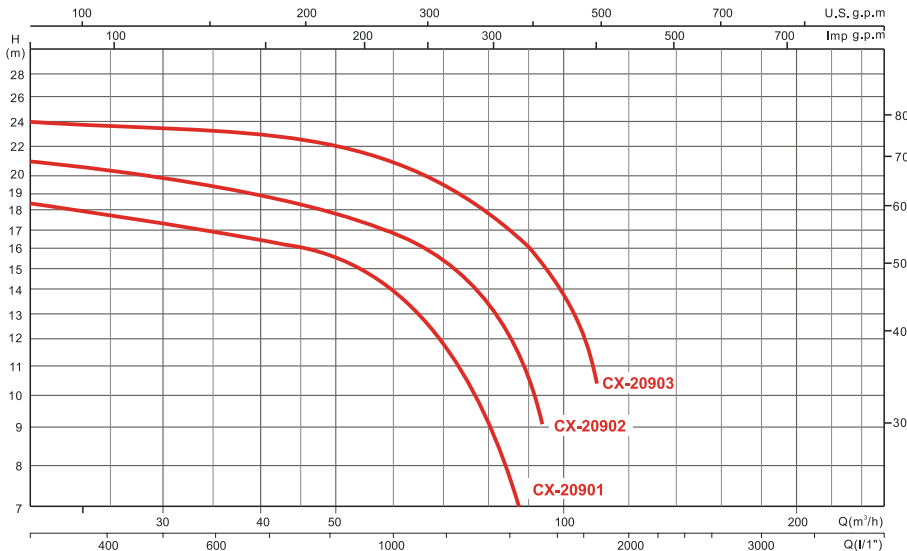
High Suction self-priming, maximum 2.5m
 Motor with 71 frame
 Pump uses a low noise standard motor. Single-phase with thermal protector KLIXON from TI, USA.
 Motors have high temperature bearings, long operating life with reliability and durability.
 Complete separation of water and the axis, safe and reliable.

Working Conditions

1. Medium temperature: 5-50 centigrade degree.
2. Environmental temperature: below 60 centigrade degree.
3. Max. working pressure: 0.3MP



Model	Qmax (l/min)	Hmax (m)	Curves	V/Hz	Power(P1)		(Amps)	Fitting Size (inch)	Packing size (mm)	(Qty/20')
					KW	HP				
CX-020601	255	10	2	220-240/50	0.55	0.75	2.7	1.5"	560 x 275 x 390	483
CX-020602	340	12.5	3	220-240/50	0.75	1.0	3.8	1.5"	560 x 275 x 390	483



Applications:

Recycling and Filtering water for Medium and commercial swimming pools.

Materials:

Pump body, and pre-filter in cast iron.
 Impeller in stainless steel AISI 316.
 Shaft in Stainless steel AISI 304
 Mechanical seal in graphite/ceramic.

Motor:

Closed, With external ventilation.
 IP 55 protection.
 Class F insulation.
 Duty: Continuously rated

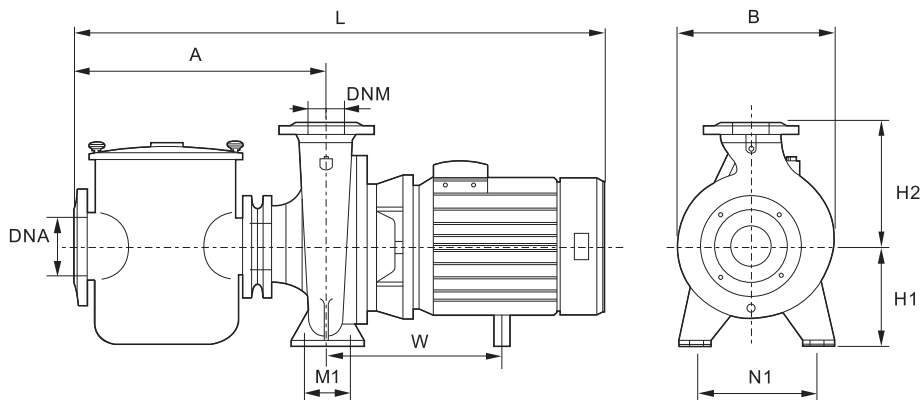
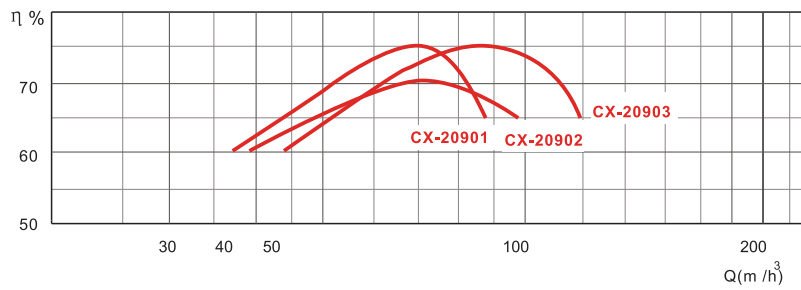
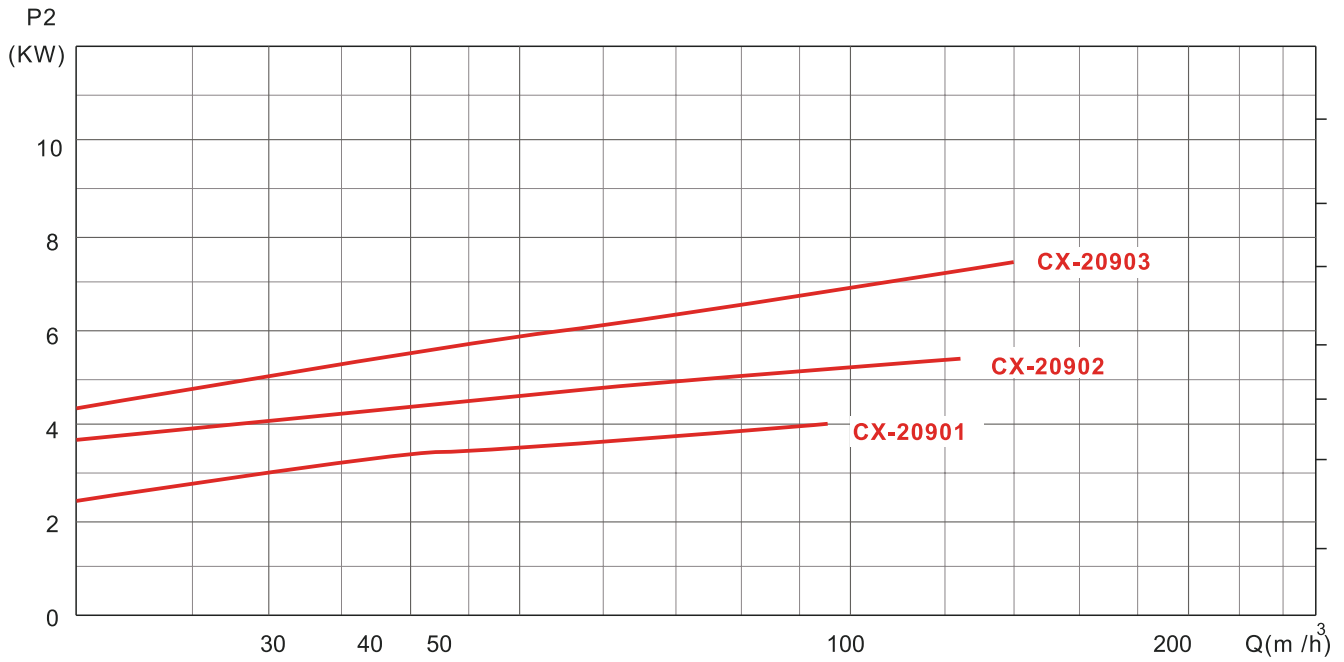
- Corex Line of cast iron Powerplus pump is designed for use in public pools as well as other installations dedicated to the supply,
- High Flow cast iron pumps.
- Centrifugal electric Pumps for swimming pools, with built-in pre-filter, ideals for high flow at low pressure.
- Pre-filter closed with a knob system of easy accessibility.
- Pump body and pre-filter made in painted cast iron.
- Impeller in Stainless steel.
- Motor shaft manufactured in stainless steel AISI3161.
- Pre-filiter basket in stainless steel too.
- Motors with IP-55 protection, at 2.850 r.p.m. tension of mains feed three-phase.
- Versions from 5.5HP to 10HP.

NOTE: On request, this pump can also be supplied in bronze.

Greater stability has also been introduced, thanks to the one-piece cast iron base and pump housing design.

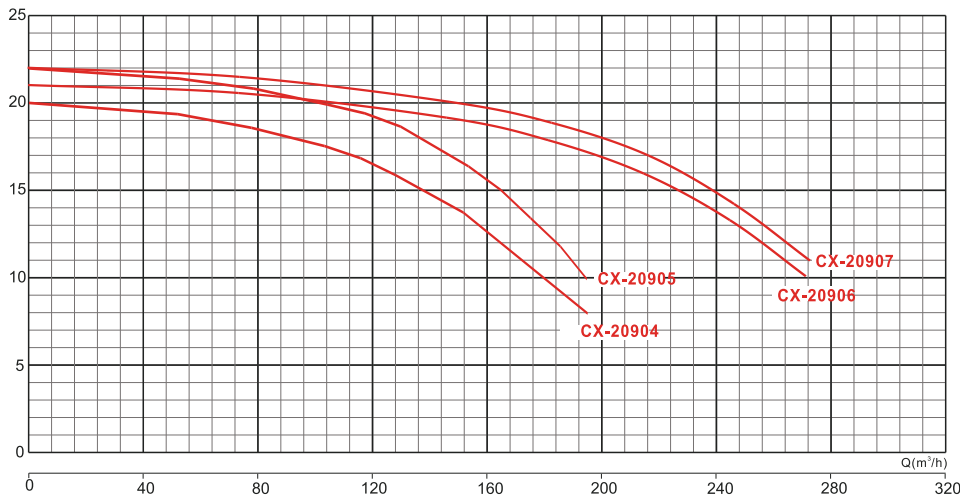
TECHNICAL DATA

Model	P2		V		A		P1(KW)		Q	L/min	0	500	750	1000	1250	1500	1750
	HP	KW	50HZ	50HZ	220	380	220	380									
CX-20901	5.5	4	220	380	14.4	8.3	4.7	4.7	H(m)	18.5	17.5	16	14	10	5	-	
CX-20902	7.5	5.5	220	380	19.0	11.0	6.3	6.3		21	20.5	19.5	17.5	15	9	-	
CX-20903	10	7.5	220	380	25.6	14.8	8.6	8.6		24	23.5	23	21.5	19	16	10	



DIMENSION

Code	A	B	M1	W	L	N1	H1	H2	DNA	DNM	Kg
CX-20901	495	310	95	292	970	212	162.5	180	Φ100	Φ65	100
CX-20902	495	310	95	310	995	212	162.5	180	Φ100	Φ65	110
CX-20903	495	310	95	310	995	212	162.5	180	Φ100	Φ65	116



Applications:

Recycling and filtering water for medium and commercial swimming pools.

Materials:

Pump body, and prefilter in cast iron.
Impeller in stainless steel AISI316.
Shaft in Stainless steel AISI 304
Mechanical seal in graphite/ceramic.

Motor:

Closed, With external ventilation.
IP 55 protection.
Class F insulation.
Duty: Continuously rated

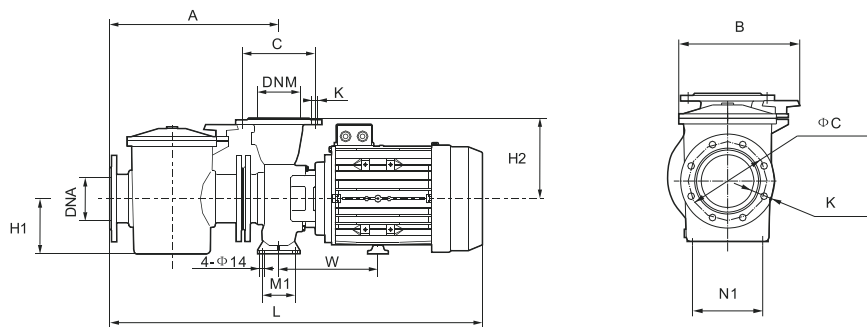
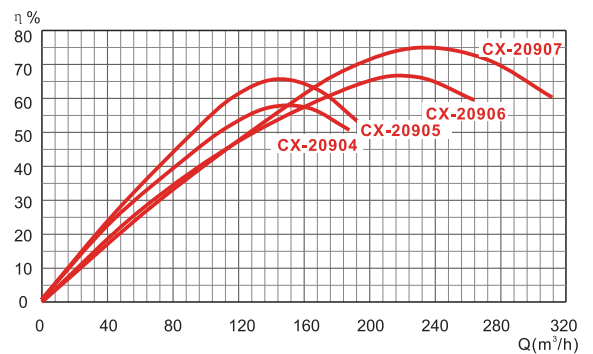
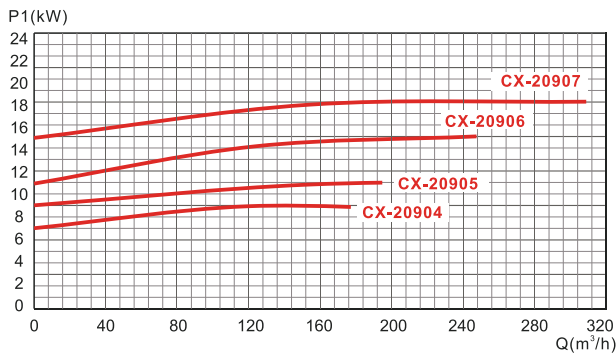
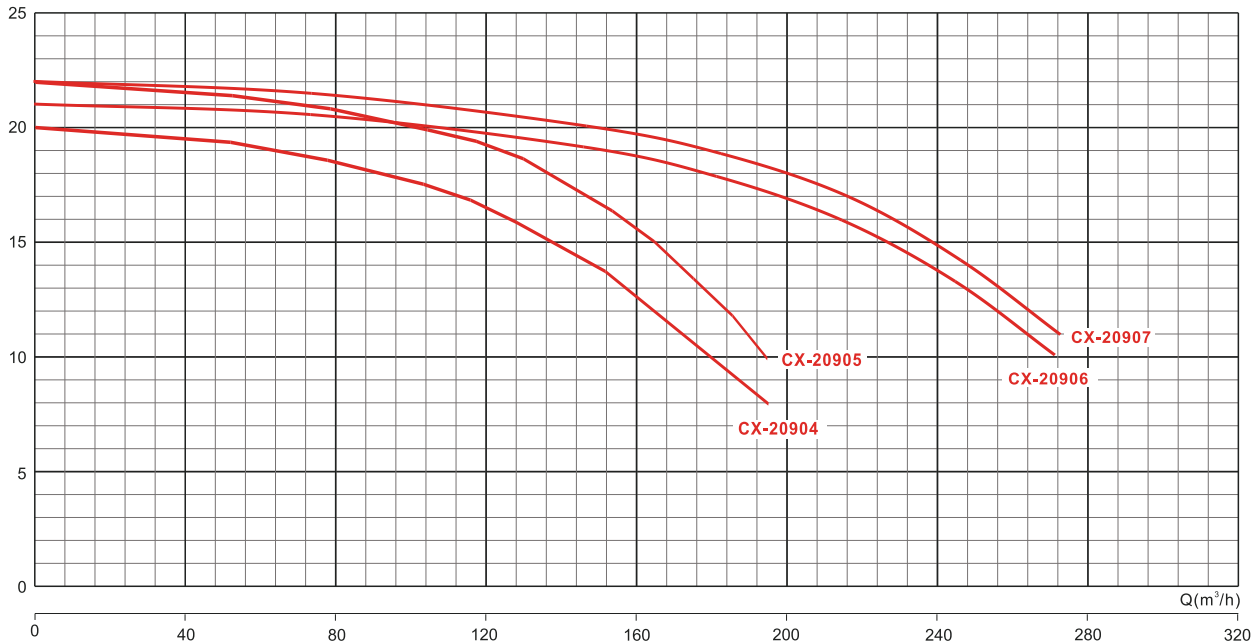
- Corex Line of cast iron Powerplus pump is designed for use in public pools as well as other installations dedicated to the supply,
- High Flow cast iron pumps.
- Centrifugal electric pumps for swimming pools, with built-in pre-filter, ideals for high flow at low pressure.
- Pre-filter closed with a knob system of easy accessibility.
- Pump body and pre-filter made in painted cast iron.
- Impeller in Stainless Steel.
- Motor shaft manufactured in stainless steel AISI3161.
- Pre-filter basket in stainless steel too.
- Motors with IP-55 protection, at 2.850 r.p.m. tension of mains feed three-phase.
- Versions from 12.5HP to 25HP.

NOTE: On request, this pump can also be supplied in bronze.

Greater stability has also been introduced, thanks to the one-piece cast iron base and pump housing design.

TECHNICAL DATA

Model	HP	KW	V	A	P1(KW)	Q	L/min	0	1500	1916	2250	2483	2633	2750	3000	3250	
			50HZ	380	3~		m³/h	0	90	115	135	149	158	165	180	195	
CX-20904	12.5	9.2	380	17.9	10.5	H(m)	20	18	17	15	14	13	12	9			
CX-20905	15	11	380	21	12.5		22	20.5	19.5	18	17	16	15	12	10		
Model	HP	KW	V	A	P1(KW)	Q	L/min	0	1500	1750	2417	3000	3500	4000	4300	4583	4833
			50HZ	380	3~		m³/h	0	90	105	145	180	210	240	258	275	290
CX-20906	20	15	380	28	16.9	H(m)	20	19.5	19	18	17	15.5	13	11	9		
CX-20907	25	18.5	380	34.3	20.6		22	21.5	21	20	19	17.5	15	13	11	8	



DIMENSION

Model	A	B	C	M1	K	W	L	N1	H1	H2	DNA	DNM
CX-20904	489	322	210	95	8-φ 18	262	990	187	160	236	φ125	φ125
CX-20905	489	322	210	95	8-φ 18	275	1016	187	160	236	φ125	φ125
CX-20906	557	380	240	95	8-φ 22	300	1170	187	240	236	φ150	φ125
CX-20907	557	380	240	95	8-φ 22	300	1170	187	240	236	φ150	φ125

HIGH PERFORMANCE COMMERCIAL PUMP

FOR COMMERCIAL AND HIGH-END RESIDENTIAL SWIMMING POOLS AND OTHER WATER APPLICATIONS

EQ Series pumps are designed for maximum efficiency and quiet operation in every detail. They are the only non-corrosive, all plastic pumps designed for the commercial pool and water applications market.

The EQ Series pump impellers are manufactured for true breakthrough performance, allowing for lower loads and longer motor life. Available with and without the strainer pot. Available in flows to 800 GPM, and from 5.5 to 15 HP.



STANDARD FEATURES

- Close-coupled for quiet, stable flow operation.
- Lightweight for easy, one-man installation.
- Clear Cam and Ramp™ Lid for added service convenience.
- Available in single- and three-phase models, ODP. TEFC motor available three-phase only.
- Closed impeller for long life and durability.
- 6" suction and 4" discharge with strainer pot.
- Great for use with Acu Drive™ XS Variable Frequency Drives.
- Self-priming under NSF standards; NSF Certified.

MATERIALS AND DESIGN

Pump Body

Volute type, back pull-out design.

- Port Size
6" – ANSI Rated 125 bolted flange suction port.
4" – ANSI Rated 125 bolted flange discharge port.
- Material - Volute & Motor Adapter
PPO Resin
- Impeller
PPO Resin
- Base
6061 aluminum design, slotted for mounting ease.
- Corrosion Prevention
All-plastic pump for maximum hydraulic performance and corrosion prevention.

Hair and Lint Strainer

- Material
Separate bolt-on PPO Resin body with plastic basket, Polycarbonate Resin Thermoplastic lid, and stainless steel bolts.
- Size
6" ANSI Rated 125 bolted flange suction and discharge ports.

Pump Maximum Limits

Liquid Temperature: 104° F
Ambient Air Temperature: 104° F

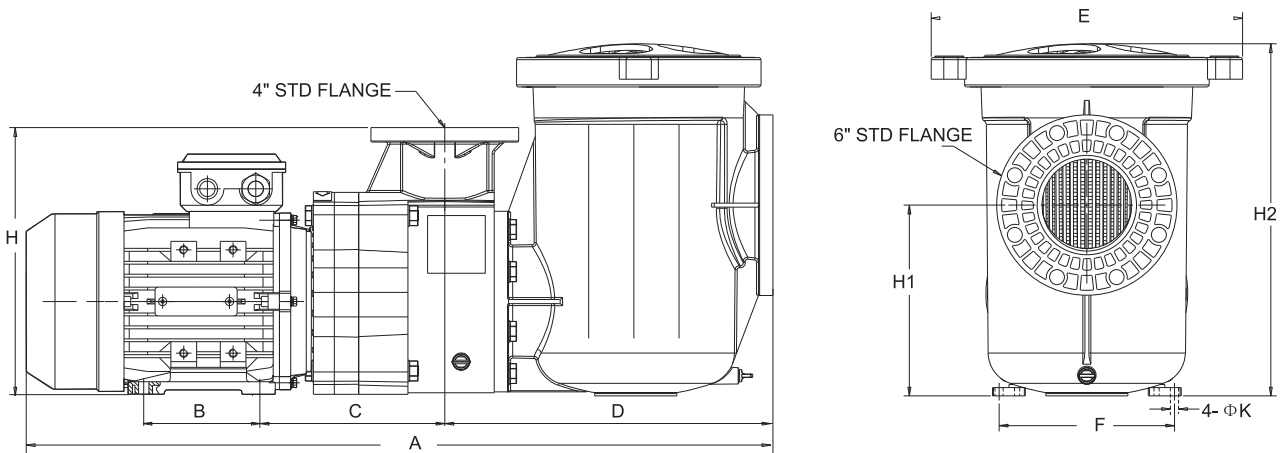
Motor

Standard JM type. Premium Efficient ODP Class F insulated.
On TEFC options, JMZ type, Premium Efficient, Class F insulated.

- Frame Size
NEMA Rated "C" flange. 230/460V are open drip-proof design.
- Shaft
303 stainless steel construction.
- Design
3 to 15 HP, 3500 RPM, JM open drip-proof, continuous duty, three-phase and single-phase (5, 7½, 10 HP). 5 to 15 HP, 3500 RPM JMZ TEFC, continuous duty three-phase.
- Bearings
Double-shielded, single row, deep-groove type, permanently lubricated.
- Thermal Overload Protection
All models require external thermal overload protector.

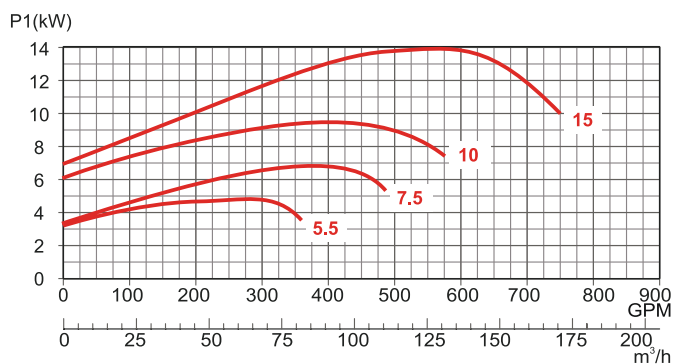
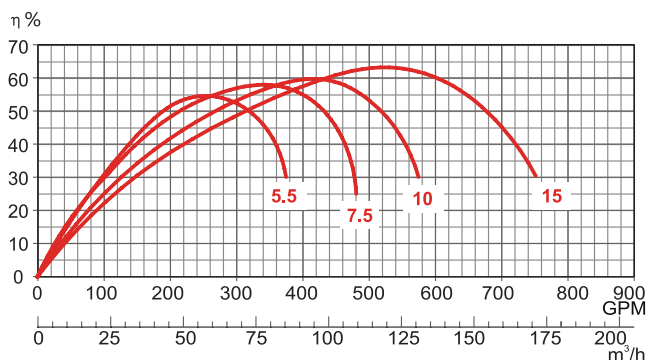
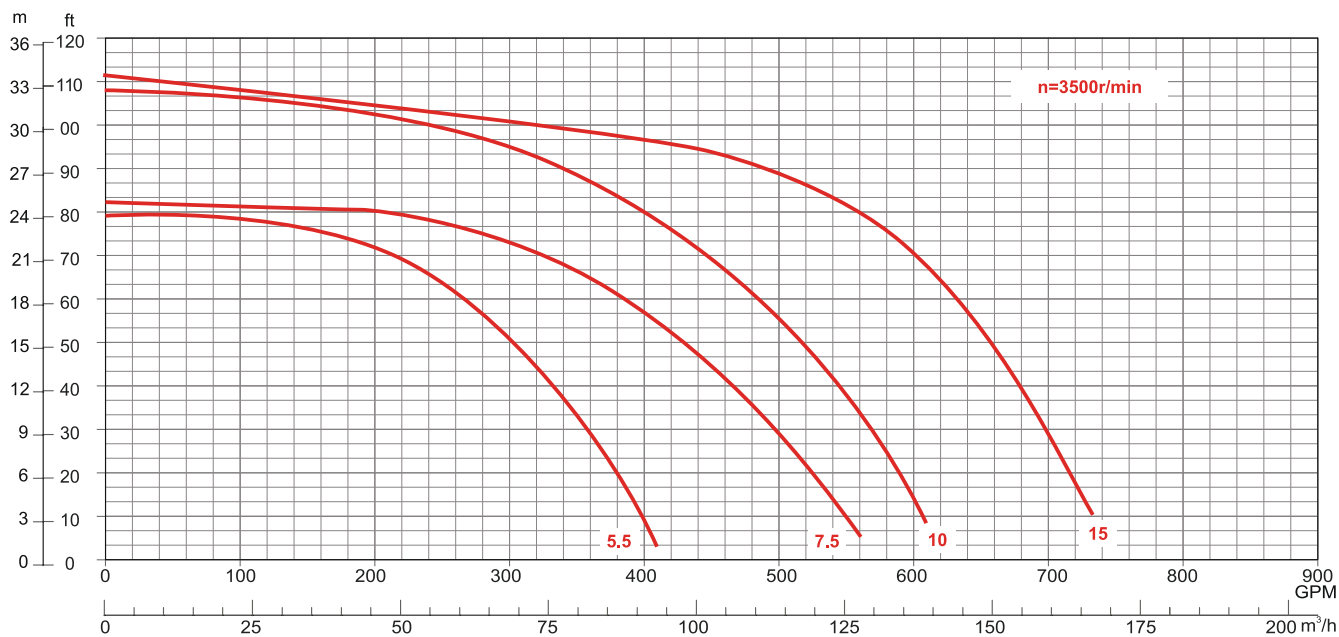
Electrical

- Power Supply Required
Three-phase pumps are 208-230/460. Single-phase models are available in ODP 230v, 60 Hz only.



DIMENSION

Model	A	B	C	D	E	F	H	H1	H2	K
CX-20909	1070	140	279	508	483	190	415	295	546	12
CX-20911	1070	140	279	508	483	190	415	295	546	12
CX-20912	1145	140	279	508	483	190	415	295	546	12
CX-20913	1145	140	298	508	483	216	415	295	546	12

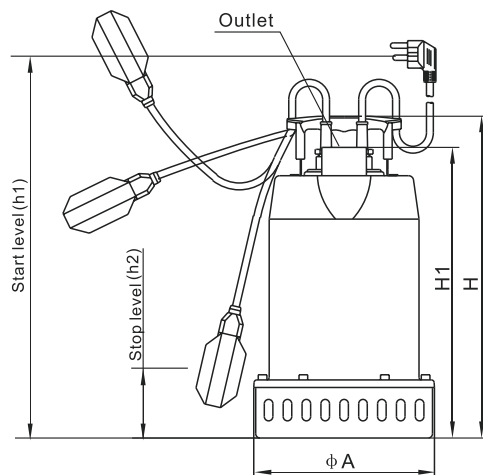


TECHNICAL DATA 60Hz

Model	HP	kW	V		A		Q	GPM								
			3~	3~	3~	3~		0	176	264	352	396	1500	1833	704	
								m³/h								
CX-20909	5.5	4	208-230	460	13.6-12.4/6.2	H(m)	24	20	16	8	2					
CX-209011	7.5	5.5	208-230	460	20.2-18.4/9.2		24.5	23	21	17.5	15	4.5				
CX-209012	10	7.5	208-230	460	24.8-23/11.5		33	31	29	27.5	23	17	6			
CX-209013	15	11	208-230	460	40-36/18		34	32	31	30	29.2	28	22.5	8.5		



Overall dimension



- Electric pump with float switch for liquid level control

Features

1. Open impeller, suit to < 10mm solid particle.
2. Double shaft seal.
3. High temperature bearing.
4. copper winding.
5. stainless steel housing.
6. with USA Ti thermal protector.

Working conditions

Medium temperature: 0~40°C

The diving depth should be less than: 5m

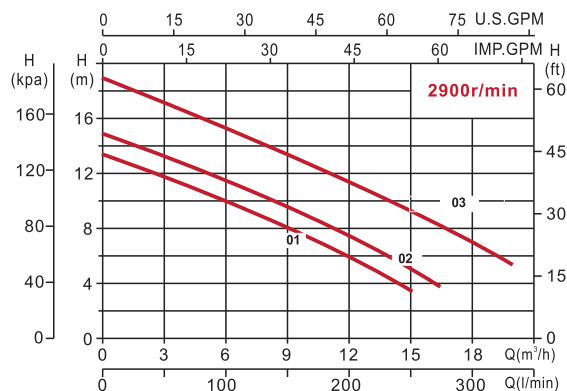
Application

- Suitable for clean water, sea water.
- Farming, Fountain, Water features, water supply, circulation, and water changing .
- Equipment for Gardening, Aquarium, Landscape waterfall, Water drainage and filtration .

Overall dimension

Model	H	H1	h1	h2	A
CX-20101	360	324	415	80	211
CX-20102	360	324	415	80	211
CX-20103	375	339	430	80	211

Performance curves



Technical parameter list

Model	Power(P2) KW	(Amps) 220V/50Hz	Hmax (m)	Qmax (m³/h)	Outlet	G.W (Kg)	Packing size (mm)
CX-20101	0.55	3.8	13.5	15	G1.5"	9.8	425×260×300
CX-20102	0.75	5.2	15	16.5	G1.5"	10.5	405×260×300
CX-20103	1.5	9.2	19	20	G1.5"	13	420×260×300

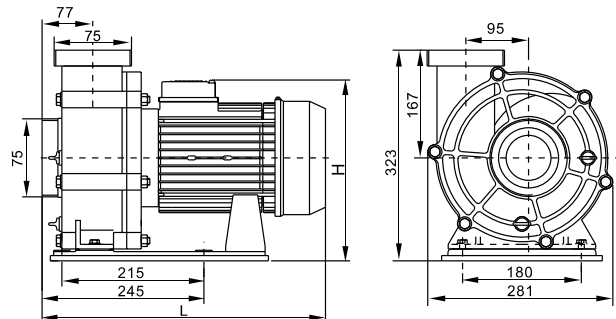
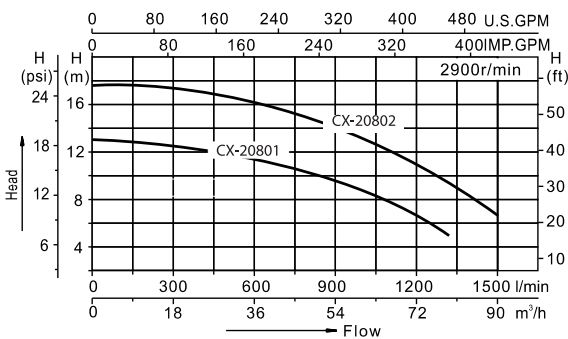
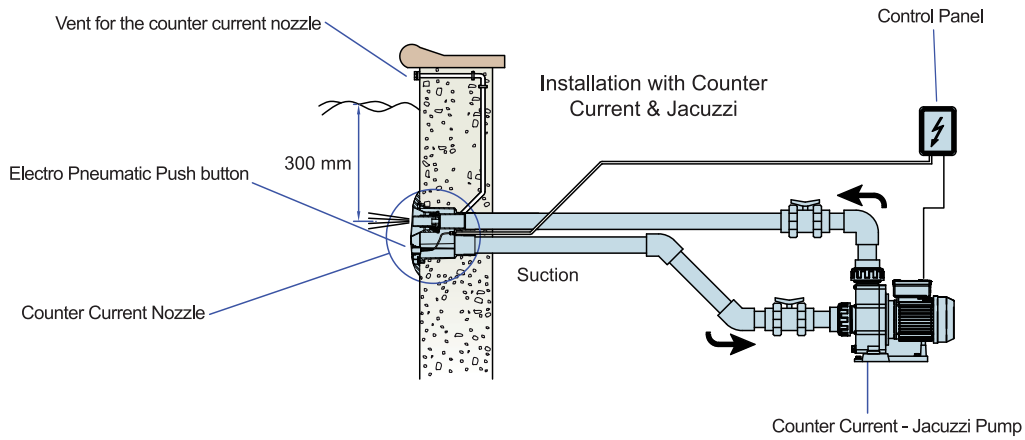
Application:

1. Thunder Series High Flow Pumps is great choice for spa lovers, it's suitable for hydro massage tub whirlpool / concrete Jacuzzi system for High flow.

Motor:

Air cooling motor is suitable for Europe. Design of winding is advanced and High technology in spa, Suitable for commercial spa / Jacuzzi, its new invention in Pumps industry. Frame and base is conjoined with material of aluminum. This pump is under low-noise and less-vibration and durability that are specialized for Whirlpool SPA / Jacuzzi and swimming pool pump.

- Insulation class F.
- Protection IP55.
- Continuous duty.
- Single-phase with thermal protector from T1 to ensure safety.
- Medium temperature 50°C.



Model	Qmax (l/min)	Hmax (m)	Power (P1)		Fitting Size (mm)	(Kg)	Packing size (mm)	(Qty/20')	Volumen Volume m
			kW	HP					
CX-20801	1300	13	3.0	4.0	3"	23.9	445x310x360	584	0,067
CX-20802	1500	17.5	4.0	5.5	3"	25.6	475x310x360	547	0,067

Application

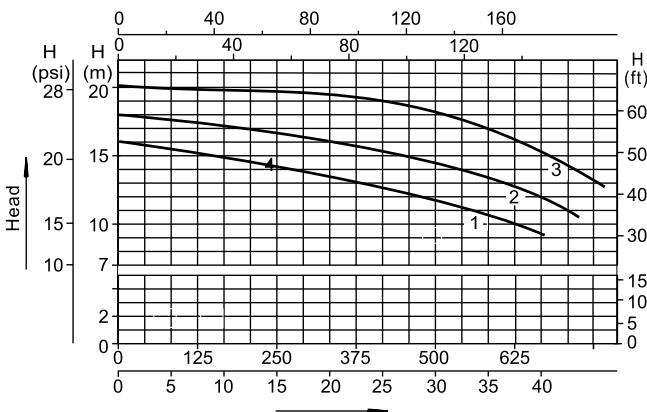
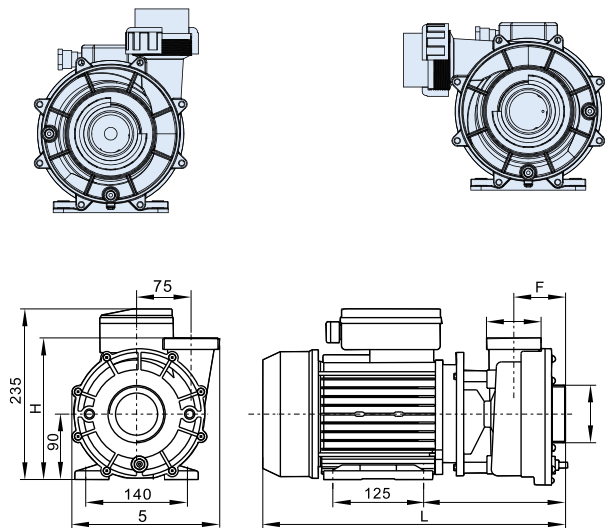
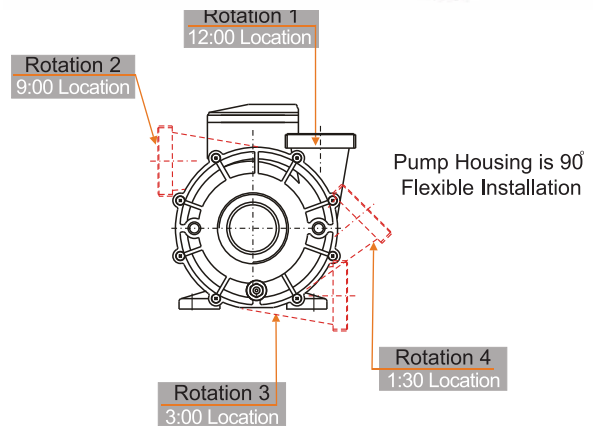
Centrifugal pump for spas, counter current and other applications.

Material

- Pump body made in polypropylene reinforced with fiberglass, resistant to the chemical products in the swimming pool, guaranteed to last a longtime.
- Impeller in Noryl.
- Versions from 1.5HP to 4HP.
- Connections of suction and return for bush connections to be glued, included with the pump.

Motor

- Mechanical seal in graphite and ceramics.
- Motor shaft manufactured in stainless steel AISI 316L.
- Enclosed motor, totally silent, with IP-55 protection, at 2.850 r.p.m.
- 90 Frame , CCCCspeed motor is optional.
- Motor adopts high temperature resistant bearing for long life reliable and durable.
- Liquid absolutely separate with shaft to keep more safe and reliable.
- Maximum working pressure 0.3MPa.
- Working temperature 5 to 50° C.



Model	Qmax (l/min)	Hmax (m)	Curves	V/Hz	Power (P _i)		Amps	Fitting size (mm)	(Kg)	Packing size (mm)	(Qty/20')
					kW	HP					
CX-20803	620	14	1	220-240/50	1.5	2.0	7.0	60.3 or 63	15.3	460 x 235 x 295	910
CX-20804	730	18	2	220-240/50	2.2	3.0	10	60.3 or 63	18	460 x 235 x 295	910
CX-20805	780	19	3	220-240/50	3.0	4.0	14	60.3 or 63	19.2	460 x 235 x 295	910

AIR BLOWER

Application:

1. hydro massage bath tub, the nozzle of SPA large outdoor pool.

Features:

Corex Air Blower: AP series hot tub spa air blowers are first recommended products with low noise, long life, easy installation.

The casing is high reinforce and high temperature resistant engineering plastic.

Motor: low-noise air blowers' dedicated excitation motor which with dedicated thermal protection (VDE or UL approval) that can protect the motor.

Insulation class F and with thermal protection from T.I.

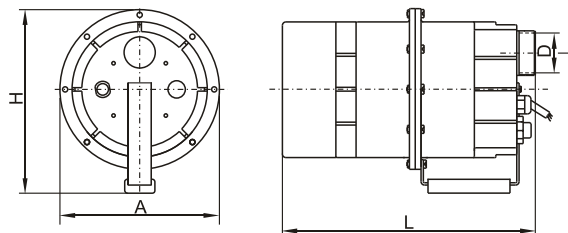
The carbon brush of the motor is import material.

The life is greater than or equal to 1000 hours (continuous duty). There is fuse inside the motor, pneumatic switch control for easy operation.

Certification:

1. CE European Union mandatory safety certification.
2. TUV German safety certification.
3. RoHS certification which restrict using certain hazardous substances in electrical and electronic equipment.

Installation type:



Model	Shape size (mm)						
	smooth outlet			threaded Outlet			H
	L	A	D	L	A	D	
AP400/700/900-V2	276	φ168	φ32	269	φ168	G1½	171
AP400/700/900-V1	249	φ168	φ32	242	φ168	G1½	171

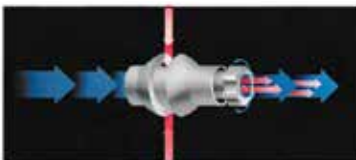
Model	Power W	(Amps)	Max Pressure (Mpa)	Air volume (m³/min)	Noise Level dB(A)	Jets Qty (pc)	Recommended water depth (m)	(Kg)
AP400-V2	400	2.5	0.014	1.65	<68	12~24	0.6	2.8
AP700-V2	700	3.3	0.018	2.0	<70	16~32	0.8	2.8
AP900-V2	900	4.5	0.025	2.4	<74	20~40	1.0	2.8
AP400-V1	400	2.5	0.015	1.7	<70	12~24	0.6	2.6
AP700-V1	700	3.3	0.020	2.2	<72	16~32	0.8	2.6
AP900-V1	900	4.5	0.025	2.4	<76	20~40	1.0	2.6

JACUZZI NOZZLE



Corex Hydro-therapy Adjustable Jet-Air and water systems offer interchangeable jet nozzles, allowing for multiple configuration options to achieve the type of hydro-massage action you want, where you want it. and with Corex's Hydro-Therapy Adjustable Jet-Air and water systems, you can control the water and air flow right at Air Control.

- Nozzle interchangeability allows custom jet placement.
- Balanced hydraulics lets user mix and match jet nozzles without affecting performance of the system (all jet nozzles operate at the same flow, i.e. 10GPM).
- Universal retrofittability allows dealer to sell replacement jet nozzles to new or previous spa customers
- Modular packaging A-Bodies / Bulkheads' B-Jet Nozzles; C- Adjuster insert.



Hydro-Therapy Nozzle Assembly			
Code	Model	Description	Conn
CX-4030	1434	Vari-Flow Nozzle, Hydro-Therapy adjustable jet air and water system	1.5"x 1.5"



Bottom Air Injector Nozzle Assembly			
Code	Model	Description	Size
CX-4031	2208	Bottom Air Injector Multi Shoot	3/8"

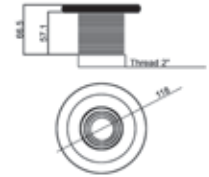


Bottom Air Injector Nozzle Assembly			
Code	Model	Description	Size
CX-4032	2209	Bottom Air Injector One Shoot	3/8"



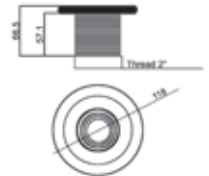
RETURN WALL INLET THREAD 2"

Model	Color	Material	Size	Flow Rate (L/min)
CX-40101	UV White	ABS	2" Thread	240



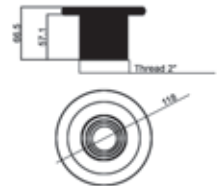
SUCTION VACUUM THREAD 2"

Model	Color	Material	Size	Flow Rate (L/min)
CX-40102	UV White	ABS	2" Thread	240



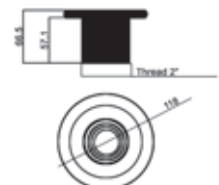
RETURN WALL INLETS GLUE 63mm

Model	Color	Material	Size	Flow Rate (L/min)
CX-40103	UV White	ABS	2" Thread	240



SUCTION VACUUM GLUE 63mm

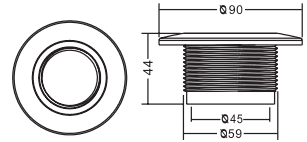
Model	Color	Material	Size	Flow Rate (L/min)
CX-40104	UV White	ABS	63mm	240





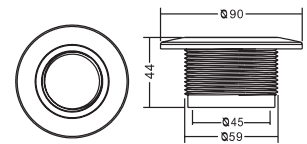
INLET POINT 1.5"

Model	Color	Material	Size	Flow Rate (L/min)
CX-40105	UV White	ABS	1.5" Thread	150



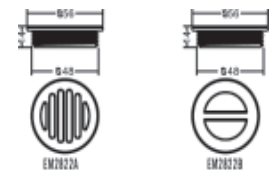
VACUUM POINT 1.5"

Model	Color	Material	Size	Flow Rate (L/min)
CX-40106	UV White	ABS	1.5" Thread	150



END CAP

Model	Code	Material	Color	Flow Rate (L/min)
CX-40112	88130212	ABS	White	115



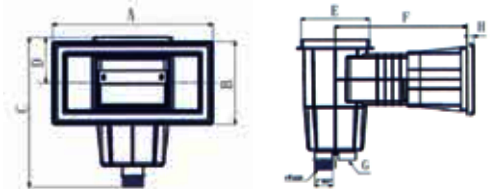
WALL CONDUIT THREAD 2"

Model	Color	Material	Size	Flow Rate (L/min)
CX-40107	UV White	ABS	2" Thread	240



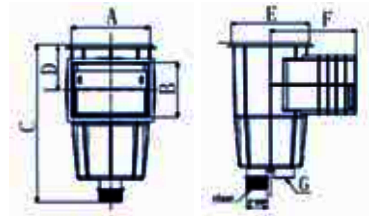
WIDE MOUTH SKIMMER (17 Ltr Skimmer)

Code	Cover	Throat type	N.W. kg	A (mm)	B (mm)	C (mm)	D (mm)	E (mm)	F (mm)	G (mm)	H (mm)
CX-40108	Square	Wide	3,90	494	228	416	122	230x230	439	50	17



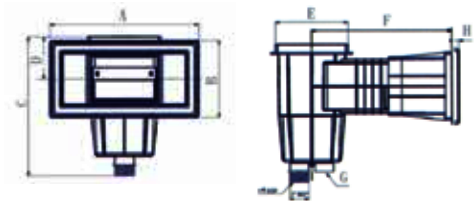
STANDARD SKIMMER (17 Ltr Skimmer)

Code	Cover	Throat type	N.W. kg	A (mm)	B (mm)	C (mm)	D (mm)	E (mm)	F (mm)	G (mm)	H (mm)
CX-40109	Square	Standard	2,33	201	140	416	111	230x230	243	50	X



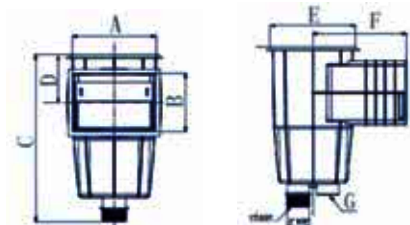
WIDE MOUTH SKIMMER (17 Ltr Skimmer)

Code	Cover	Throat type	N.W. kg	A (mm)	B (mm)	C (mm)	D (mm)	E (mm)	F (mm)	G (mm)	H (mm)
CX-40110	Round	Wide	3,70	494	228	416	122	211	439	50	17



WIDE MOUTH SKIMMER (17 Ltr Skimmer)

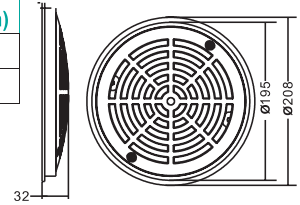
Code	Cover	Throat type	N.W. kg	A (mm)	B (mm)	C (mm)	D (mm)	E (mm)	F (mm)	G (mm)	H (mm)
CX-40111	Round	Standard	2,20	201	140	416	111	221	243	50	X





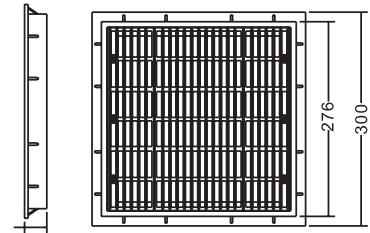
ROUND MAIN DRAIN COVER

Model	Color	Material	Dia	Flow Rate (L/min)
CX-40113	White	ABS	7" x 7"	558
CX-40114	White	ABS	9" x 9"	710



SQUARE MAIN DRAIN

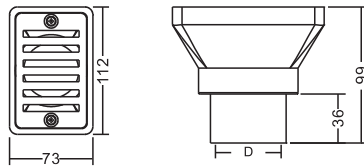
Model	Color	Material	Flow Rate (L/min)
CX-40115	White	ABS	850



GUTTER DRAIN

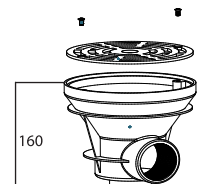
Model	Color	Material	Flow Rate (L/min)
CX-40116	White	ABS&PVC	150(1.5") / 235(2.0")

D			
1 1/2"		2"	
Metric	ø50	Metric	ø63
Imperial	ø48	Imperial	ø60



MAIN DRAIN

Model	Color	Material	Dia	Size	Flow Rate (L/min)
CX-40117	White	ABS	8"	2" BSP	558



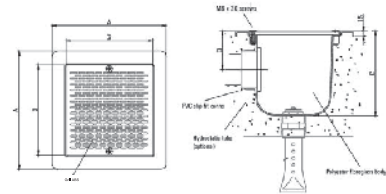


COMMERCIAL MAIN DRAIN

Model	Description	Connection Size	Connection Flow
CX-4019	Main Drain 300x300	75mm/3"	18m ³ /hr
CX-4020	Main Drain 300x300	90mm/4"	20m ³ /hr
CX-4020-6	Main Drain 300x300	160mm/6"	60m ³ /hr

Main Drain Dimensions

Ref	Con	A	B	C	D
CX-4019	75	300	252	245	112
CX-4020	90	300	252	245	112
CX-4020-6	160	450	412	363	170

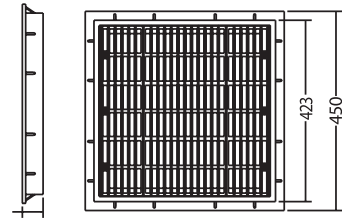


COMMERCIAL MAIN DRAIN

Model	Color	Material	Flow Rate (L/min)
CX-40118	White	ABS	850

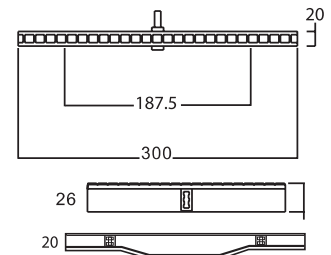
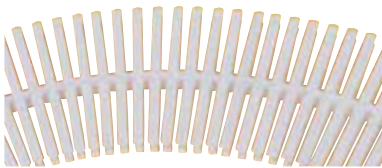


Heavy duty base frame



DECK GRATING

Model	Color	Material	Size
CX-4021	White	ABS&PVC	187.5
CX-4022	White	ABS&PVC	300



FLOATS - RACING LANE

Model	Size
CX-4024	Φ150*25M
CX-4025	Φ150*50M
CX-4026	Φ120x25M
CX-4027	Φ120x50M

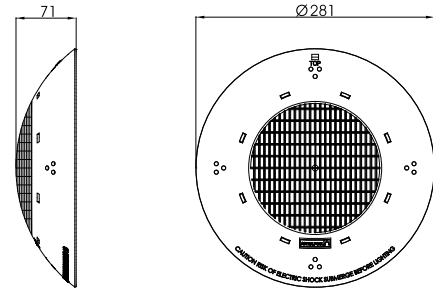


Colors



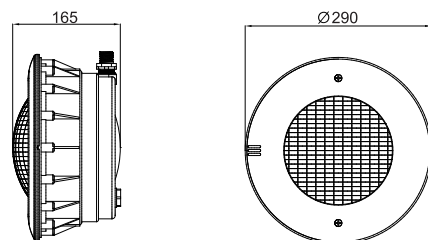
HELOGEN LIGHTS

- Manufactured in polyamide and ABS, the unit can survive the typical chemical and temperature exposure of a swimming pool for years
- Readily fitted to any existing pool, as no niche is required for installation
- Anchored directly to the wall with a reinforced plastic cross, anchor plugs and screws
- Patented locking system and easy process of lamp substitution
- Available with 75-100W halogen lamp,
- For concrete and prefabricated pools.
- CE certified by SGS.



Model	Code	Type	Pool	Protection	W	V	Cable (m)
602B	CX-50102	Halogen	Concrete	IPX8	100	12	2,5

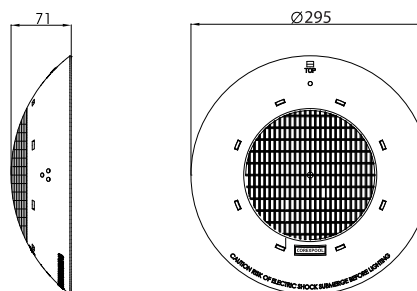
- Manufactured in polyamide and ABS, the unit can survive the typical chemical and temperature exposure of a swimming pool for year.
- Class III electric apparatus with very low voltage for safety (12V with alternating current).
- PAR56 lamp complying with IPX8 degree of protection (resistant to penetration of dust, solid bodies and humidity) at a nominal immersion depth of 2m.
- Environmental friendly
- Available for concrete and liner pools.
- Optionl polished stainless steel face palte.
- 30,000 hours of Halogen lamp life.



Model	Code	Type	Front Plate	Watts	V	Diameter (mm)	Depth (mm)	Cable (m)
101B	CX-50103	Halogen	ABS	Par 56-300W	12	290	165	2,5

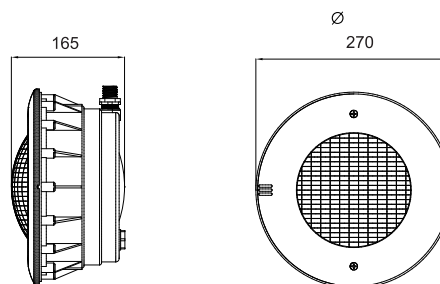
- Manufactured in polyamide and ABS, the unit can survive the typical chemical and temperature exposure of a swimming pool for years
- Readily fitted to any existing pool, as no niche is required for installation
- Anchored directly to the wall with a reinforced plastic cross, anchor plugs and screws
- Patented locking system and easy process of lamp substitution
- Available with 144 LED lamps.
- For concrete and prefabricated pools.
- CE certified by SGS.
- Compared to a halogen lamp the LED uses much less energy.
- Environmental friendly.
- Supplied in color and white light.
- Can be used without water.

Designed to be used fully submerged underwater in fresh water swimming pools.



Model	Code	Type	LED - SMD	Front Plate	W	V	Cable (m)
603B	CX-50105	WW	144	ABS	18	12	2,5
604B	CX-50106	RGB	144	ABS	18	12	2,5
605B	CX-50107	WW	252	ABS	24	12	2,5
606B	CX-50108	RGB	252	ABS	24	12	2,5
603C	CX-50105	WW	1X18	ABS	18	12	2,5
604C	CX-50106	RGB	1X18	ABS	18	12	2,5
605C	CX-50107	WW	1X24	ABS	24	12	2,5
606C	CX-50108	RGB	1X24	ABS	24	12	2,5
RC	CX-50106-RC	REMOTE CONTROL FOR RGB LIGHT					

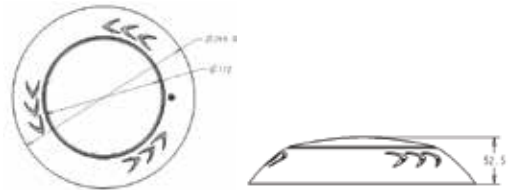
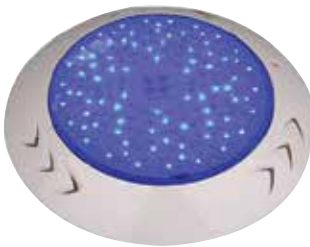
- Manufactured in polyamide and ABS, the unit can survive the typical chemical and temperature exposure of a swimming pool for year.
- Class III electric apparatus with very low voltage for safety (12V with alternating current).
- PAR56 lamp complying with IPX8 degree of protection (resistant to penetration of dust, solid bodies and humidity) at a nominal immersion depth of 2m.
- Environmental friendly
- Compared to a halogen lamp the LED uses much less energy
- Available for concrete and liner pools.
- Optional polished stainless steel face plate.
- 30,000 hours of LED lamp life.
- Supplied in color and white light.
- PAR56 lamps are available in 144 LED bulbs and 52 LED bulbs.
- With the color 252 LED bulbs model, a remote control is optional.



Model	Code	Type	LED Lamps	LED Color	W	V	Cable (m)
501B	CX-50109	White	144	White	12	12	2,5
502B	CX-50110	Color	144	RGB	12	12	2,5
503B	CX-50111	White	252	White	21	12	2,5
504B	CX-50112	Color	252	RGB	21	12	2,5

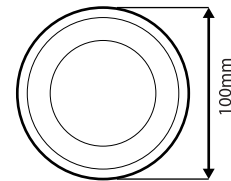
SMD LIGHTS

Resin Filled LED under water light, New technology advanced resin filled water proof light standard 16 programs with synchronization capability RGB, LED high technology Electronic control LED lights based on LED 3 colors, Red, Green and Blue. These three base color together can produce many other colors to create the perfect atmosphere in the pool. 16 pre programs effect can be selected with the on / off switch of your pools lights, also available warm white. The technology of true PWM is adopted on the light. High temperature production internal make working long life guarantee.

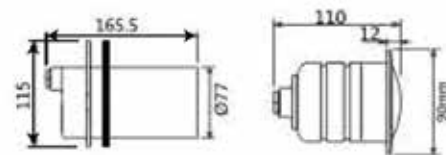


Basic Parameter	Code	Watts	Color	Technology	V	Cable (m)
Working Temp -20C +80C	CX-50113	55	Warm White	PWM	12	4
Working Humidity 10% to 90% RH	CX-50114	55	Cool White	PWM	12	4
Epoxy Resin LED's AC 12V	CX-50115	55	RGB	PWM	12	4
High Brightness Low Consumption	CX-50116	55	RGB - DMX	PWM	12	4

LIGHTS

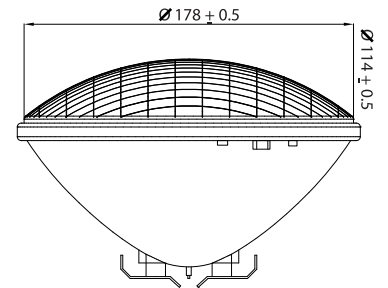


Basic Parameter	Code	Watts	Color	Technology	V	Cable (m)
Working Temp -20C +80C	CX-50117	07	Warm White	PWM	12	4
Working Humidity 10% to 90% RH	CX-50118	07	Cool White	PWM	12	4
Epoxy Resin LED's AC 12V	CX-50119	07	RGB	PWM	12	4
High Brightness Low Consumption	CX-50120	07	RGB - DMX	PWM	12	4



Model	Code	Lamps	LED Lamps	LED Color	W	V	Cable (m)
LED 36HC	CX-50119	Color LED	36-LED's	RGB	03	12	2,5
LED 36HB	CX-50120	Warm White	36-LED's	White	03	12	2,5

BEAM LIGHTS



- Glass bulb ensures quick heat dissipation avoids corrosion.
- Both Parts of the body are joined by composite glue that ensures IP68 isolation.
- 30,000 hours of LED lamp life.
- LED lamps are energy efficient and more environmentally friendly than halogen lamps.
- Lamps are available in: 144 and 252 LED bulbs White or RGB.

Code	Model	Description	Light Source	Line Voltage	Power	Brightness	Angle	Color Temperature	Average Life Time*
CX-50121	501-0001	144 White		12V AC	12 watt	550 LM	15 ~ 18	2 800 K ~ 10.000 K	30,000 hours
CX-50122	502-0001	144 RGB		12V AC	12 watt	400 LM	15 ~ 18	2 800 K ~ 10.000 K	30,000 hours
CX-50123	505-0001	144 RGB with remote control	5mm Diameter	12V AC	12 watt	400 LM	15 ~ 18	2 800 K ~ 10.000 K	30,000 hours
CX-50124	503-0001	252 White	LED bulbs	12V AC	21 watt	1020 LM	15 ~ 18	2 800 K ~ 10.000 K	30,000 hours
CX-50125	504-0001	252 RGB		12V AC	21 watt	770 LM	15 ~ 18	2 800 K ~ 10.000 K	30,000 hours
CX-50126	506-0001	252 RGB with remote control		12V AC	21 watt	770 LM	15 ~ 18	2 800 K ~ 10.000 K	30,000 hours
CX-50127	501-0001	Bulb PAR56-300W -12V(Spare Part)		12V AC	300 watt	—	—	—	—

Deck Box - Transformer

Transformer

Code	Model	Rated Power (W)	Input Voltage (V)	Out Voltage
CX-50128	83108	50	220 ~ 240V	PWM
CX-50129	83101	100	220 ~ 240V	PWM
CX-50130	83103	300	220 ~ 240V	PWM

Deck Box

Code	Rated Power (W)
CX-50131	Junction Box for UWL





Discriptions:

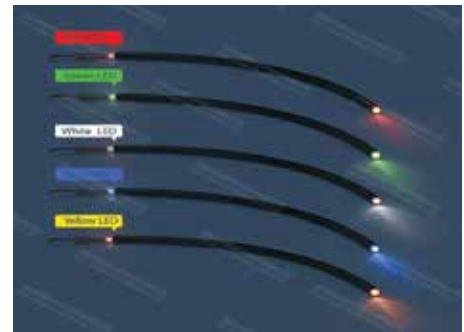
Endglow Fiber Optic with Black Jacket cable is a kind of light material, it is made of transparent fluorine polymer compound fiber core and black PVC. But it has to be lighted by LED illuminator from one fiber end to the other end, and the light color is changing along with the LED illuminator.

End glow Fiber Optic Cable Specifications

Code	Description	Diameter (mm)	Material	Core Refractive Rate	Working Temperature (C)	Length (M/roll)
CX-Z01	End Glow FOC	Ø 1.0	PMMA+PE	1.49	-50~+70	2500
CX-Z02	End Glow FOC	Ø 1.5	PMMA+PE	1.49	-50~+70	700
CX-Z03	End Glow FOC	Ø 2.0	PMMA+PE	1.55	-50~+70	100
CX-Z04	End Glow FOC	Ø 2.5	PMMA+PE	1.55	-50~+70	100
CX-Z05	End Glow FOC	Ø 3.0	PMMA+PE	1.55	-50~+70	100
CX-Z06	End Glow FOC	Ø 4.0	PMMA+PE	1.55	-50~+70	100
CX-Z07	End Glow FOC	Ø 5.0	PMMA+PE	1.55	-50~+70	100
CX-Z08	End Glow FOC	Ø 6.0	PMMA+PE	1.55	-50~+70	100
CX-Z09	End Glow FOC	Ø 8.0	PMMA+	1.55	-50~+70	100

Features:

1. No electricity at the point of illumination
2. No heat at the point of illumination
3. No UV rays at the point of illumination
4. Good flexibility, easy for processing
5. Simple installation
6. Easy maintenance
7. Fiber can travel all visible color (RGB) Light.
8. Fiber not emit it self , only travel light, so light emitting color depend on light source color.



LED Illuminator Specifications

Code	Model	Specifications		Functions	
		Power	Voltage	Remote Controller	Remote Distance
CX-Z10	ZL-12W	12W	100V-265V, 50 hz	24 keys , IR	10m
CX-Z11	ZL-20W	20W	100V-265V, 50 hz	24 keys , IR	10m
CX-Z12	ZL-75W	75W	220V-240V, 50 hz	24 keys , IR	10m

Metal Buried Floor Light Specifications

Code	Description	Size (D*D*Lmm)	Material	Matched Cabel
CX-Z13	Mini Star light	Φ11*9*29	Metal + Acrylic beads	1.5mm
CX-Z14	Star light	Φ20*13*26	Metal + Acrylic beads	4.0mm
CX-Z15	Dipper light	Ø22*18*25	Metal + Acrylic beads	5.0mm



LED Illuminator



LED Illuminator ZL-75W



Mini Star light



Star light

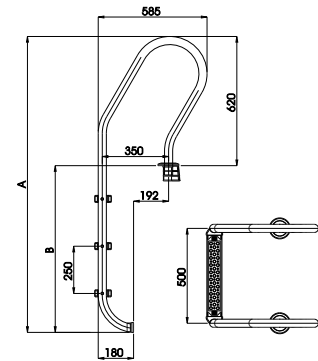


Dipper light

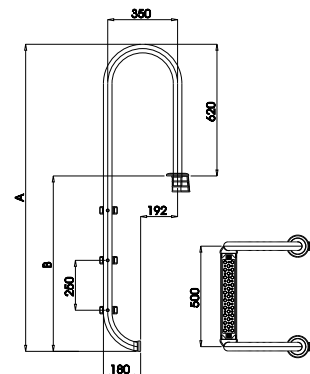
LADDERS

- Manufactured of stainless steel AISI 304 tube with a diameter of 43 mm and width of 500mm in a shiny polished finish.
- Each ladder style supplied with 2, 3, 4 or 5 steps.
- 316SS option for salt water also available.

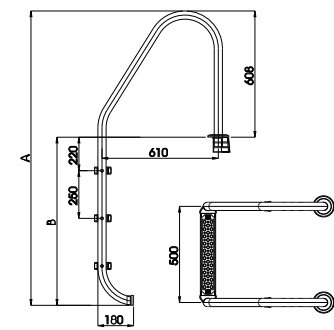
MIX HANDRAIL LADDER				
Code	Treads	Tread Material	Size A (mm)	Size B (mm)
CX-60101	2	Stainless Steel	1330	710
CX-60102	3	Stainless Steel	1580	960
CX-60103	4	Stainless Steel	1830	1210
CX-60104	5	Stainless Steel	2080	1460



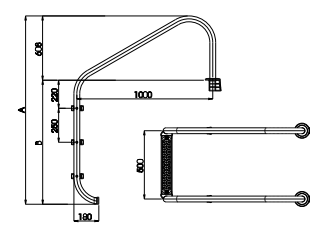
WALL HANDRAIL LADDER				
Code	Treads	Tread Material	Size A (mm)	Size B (mm)
CX-60201	2	Stainless Steel	1330	710
CX-60202	3	Stainless Steel	1580	960
CX-60203	4	Stainless Steel	1830	1210
CX-60204	5	Stainless Steel	2080	1460



STANDARD HANDRAIL LADDER				
Code	Treads	Tread Material	Size A (mm)	Size B (mm)
CX-60301	2	Stainless Steel	1330	710
CX-60302	3	Stainless Steel	1580	960
CX-60303	4	Stainless Steel	1830	1210
CX-60304	5	Stainless Steel	2080	1460



OVERFLOW HANDRAIL LADDER				
Code	Treads	Tread Material	Size A (mm)	Size B (mm)
CX-60401	2	Stainless Steel	1287	587
CX-60402	3	Stainless Steel	1537	837
CX-60403	4	Stainless Steel	1787	1087



LADDER LUXE-SERIES

- Manufactured of stainless steel AISI 304 tube with a diameter of 43 mm and width of 500mm in a shiny polished finish.
- Each ladder style supplied with 2, 3,4 or 5 steps.
- 316SS option for salt water also available.
- Anti-Slip met LUXE.

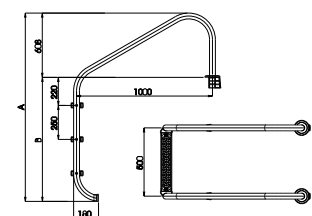
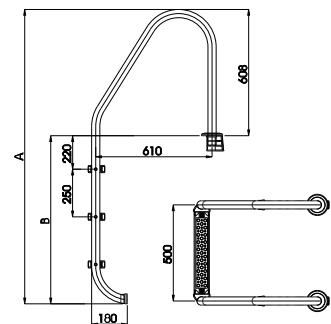
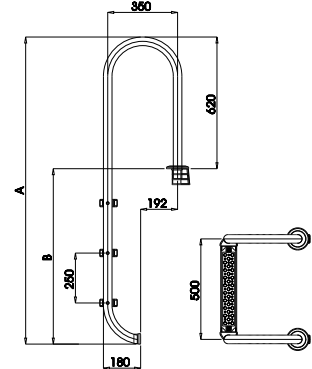
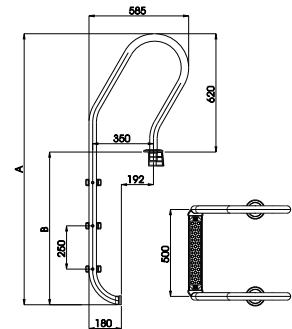


LUXE-MIX HANDRAIL LADDER				
Code	Treads	Tread Material	Size A (mm)	Size B (mm)
CX-60101-L	2	Stainless Steel	1330	710
CX-60102-L	3	Stainless Steel	1580	960
CX-60103-L	4	Stainless Steel	1830	1210
CX-60104-L	5	Stainless Steel	2080	1460

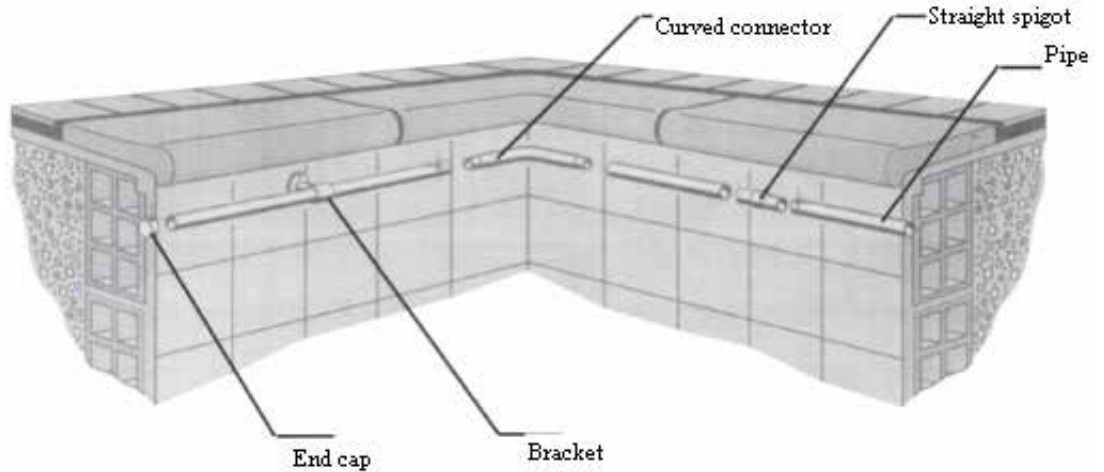
LUXE-WALL HANDRAIL LADDER				
Code	Treads	Tread Material	Size A (mm)	Size B (mm)
CX-60201-L	2	Stainless Steel	1330	710
CX-60202-L	3	Stainless Steel	1580	960
CX-60203-L	4	Stainless Steel	1830	1210
CX-60204-L	5	Stainless Steel	2080	1460

LUXE-STANDARD HANDRAIL LADDER				
Code	Treads	Tread Material	Size A (mm)	Size B (mm)
CX-60301-L	2	Stainless Steel	1330	710
CX-60302-L	3	Stainless Steel	1580	960
CX-60303-L	4	Stainless Steel	1830	1210
CX-60304-L	5	Stainless Steel	2080	1460

LUXE-OVERFLOW HANDRAIL LADDER				
Code	Treads	Tread Material	Size A (mm)	Size B (mm)
CX-60401-L	2	Stainless Steel	1287	587
CX-60402-L	3	Stainless Steel	1537	837
CX-60403-L	4	Stainless Steel	1787	1087



We also supply pipes and items needed to install grab rails or other decorative features around the edge of the pool.



Straight Handrails

Made of polished AISI-316 stainless steel Ø 43 mm pipes. Length of handrail: 1m. The length must be specified when making the order.

Code	Standard Packaging	Standard Weight kg	Standard Volume m ³
CX-HD21	1	1.5	0.002



Straight Extender

Made of polished AISI-316 stainless steel. For joining Ø43mm stainless steel pipes.

Code	Standard Packaging	Standard Weight kg	Standard Volume m ³
CX-HD22	1	0.32	0.001



Curved Extender

Made of polished AISI-316 stainless steel. For joining Ø 43mm.

Code	Standard Packaging	Standard Weight kg	Standard Volume m ³
CX-HD23	1	0.3	0.001



End Caps

For the end Ø43mm handrail pipe.
Made of polished AISI-316 Stainless steel.

Code	Standard Packaging	Standard Weight kg	Standard Volume m ³
CX-HD24	1	0.1	0.001



Bracket closed at one end

Made of AISI-316 stainless steel.
For Ø43mm Handrails. Supplied with screws.
Gasket and wall plugs.

Code	Standard Packaging	Standard Weight kg	Standard Volume m ³
CX-HD25	2	0.6	0.002



90° Angle handrail bracket

Made of AISI-316 polished stainless steel.
For Ø43mm Handrails. Supplied with screws, gasket and wall plugs.

Code	Standard Packaging	Standard Weight kg	Standard Volume m ³
CX-HD26	2	1.17	0.002

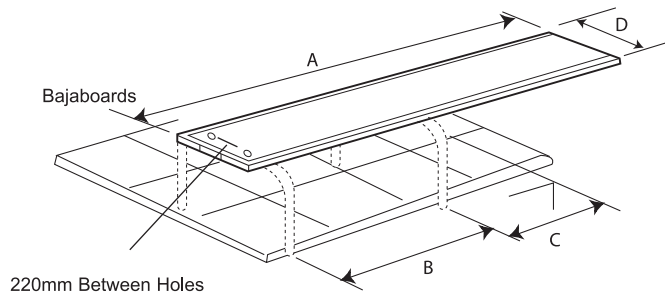


Straight Bracket with baseplate

Made of AISI-316 polished stainless steel.
For Ø43mm Handrails. Supplied with screws, gasket and wall plugs.

Code	Standard Packaging	Standard Weight kg	Standard Volume m ³
CX-HD27	2	0.5	0.002

DIVING BOARD



Model	Conns	B	C	D
CXDV-6	6'0" / 1.846mtr	920mm	460mm	340mm
CXDV-8	8'0" / 2.462mtr	1140mm	460mm	340mm
CXDV-10	10'0" / 3.077mtr	1320mm	460mm	340mm

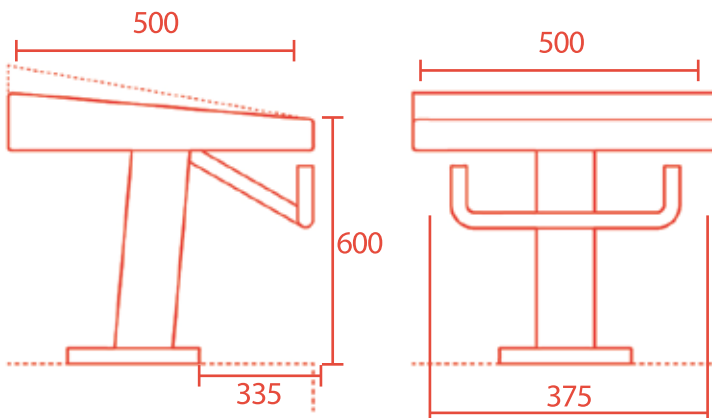
Installation Criteria In the interests of safety, the recommended SPATA guide lines and standards should be followed. Reference to the 'Cage of Safety' is an area of water of sufficient size and depth with in the deep end of a pool of various dimensions that allows normal deck level diving with safety. Irrespective of the shape or profile of the pool, the 'Cage of Safety' shall be maintained. See SPATA standards. Important Note-for new installations, stainless steel supports are required when ordering boards. Baja Diving Boards are not suitable for use as a Spring board.

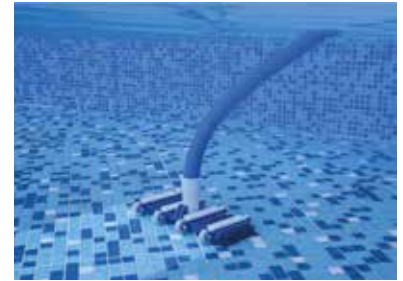
Baja Pre-Drilled Diving Boards

Code	Description
CXDV-6	6' Baja board only
CXDV-8	8' Baja board only
CXDV-10	10' Baja board only with aluminium reinforcing
CXDV-12	12"x 1.5" diameter stainless steel supports for CXDV6
CXDV-15	15"x 1.5" diameter stainless steel supports for CXDV10

Starting Blocks

Code	Description
CEMSB600	Fixed starting blocks 600mm high - level deck pools - includes fixings





CX-MT-50



CX-T134D



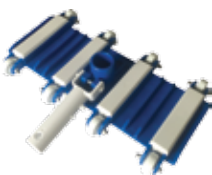
CX-T51D



CX-T56D



CX-T55D



CX-T70D



CX-T84D



CX-T458

CX-T55D Heavy Duty Leaf Rake with fishtail EZ clip handle(fine mesh)

CX-T56D Heavy Duty Leaf Skimmer with fishtail EZ clip handle (fine mesh)

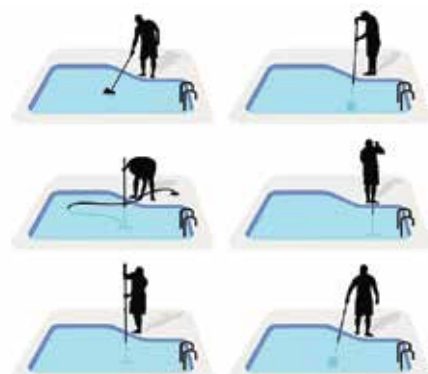
CX-T458 PH Basic Test Kit (15ml)

CX-T134D Sprial Wound Vacuum Hose(2 color) with Standard Cuff (15m x 1-1/2")

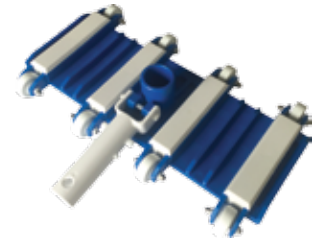
CX-T84 2X1.0X2.4M aluminium Pole fits SGL Cam(Silver)

CX-T51B 18" Deluxe wall brush with polished aluminium back

CX-T70 14"(35CM) Flexible Vacuum Head with fishtail EZ clip handle



Code	Description
CX-T70	14"(35CM) Flexible Vacuum Head with fishtail EZ clip handle



Code	Description
CX-T256	18"aluminium vaccum head with bottom brush



Code	Description
CX-T149D	19"Vacuum Head with Side Brushes and bottom brush aluminium handle



Code	Description
CX-T569D	19" (48CM)Vacuum Head with Brush and fishtail EZ clip handle



Code	Description
CX-T458	Basic PH & CL Test Kit (15ml)



Code	Description
CX-T88	Test Kit Refill (15ml)



Code	Description
CX-T51D	18" Deluxe Wall Brush with polished aluminium back

Code	Description
CX-T55D	Heavy Duty Deep Leaf Rake with fishtail EZ clip handle(fine mesh)

Code	Description
CX-T56D	Heavy Duty Flat Leaf Skimmer with fishtail EZ clip handle (fine mesh)

Code	Description
CX-T133	10" Stainless Steel Brush with polished aluminium Back

Code	Description
CX-T134D	Sprial Wound Vacuum Hose (2 color) with Standard Cuff(15m x 1-1/2")

Code	Description
CX-T84D	Aluminium Telescopic Handle 8' - 16'. 1mm thickness SGL Silver
CX-T85D	Aluminium Telescopic Handle 12' - 24'. 1mm thickness SGL Silver

Code	Description
CX-T286D	20" Wall Brush Nylon Bristle with aluminium handle



MAINTAINCE ACCESSORIES

REGULATORS



The control of PH fundamental to keep a proper comfort for the bather preserve material of the pool and assure optimum efficiency of the water treatment products. The water pH should always be between 7.2 and 7.6

pH MINUS Solid use it when pH is over 7.6 and the water is alkaline white, cloudy the disinfectant loses its function.

pH Plus Solid: use it when the pH is under 7.2 and the eyes and mucous membranes of the bathers. Also may lead to corrosion the metallic elements of the pool.

CHLORINATED



Chemical Water Treatment with chlorinated product is the most simple and efficient one. The pool is well disinfected when there is a residual chlorine level between 0.5 and 2 ppm.

TRICHLORE: is the most stable and its dissolution is slow .well recommended for usual maintenance of the pool.

Trichlore Granulated : 5kg ,25kg and 50kg

Trichlore power : 5kg and 50kg

Trichlore Tablets : 200gr/250gr: 5kg 25kg and 50kg

DICHLORE: After a storm, a wave of peak temperatures or a day with a large number of bathers, a shock chlorination treatment is strongly recommended due to the fast dissolution of dichlore.

NON CHLORINATED PRODUCTS

The control of PH fundamental to keep a proper comfort for the bather preserve material of the pool and assure optimum efficiency of the water treatment products. The water pH should always be between 7.2 and 7.6

pH MINUS Liquid use it when pH is over 7.6 and the water is alkaline white, cloudy the disinfectant loses its function.

pH Plus Liquid: use it when the pH is under 7.2 and the eyes and mucous membranes of the bathers. Also may lead to corrosion the metallic elements of the pool.



ALGAECIDES

Algaecides avoid green spots in walls and slippery areas in ladders .If algae are not treated immediately will be very difficult to eliminate them.

Dosage: It is recommended to add a weekly dose of algaecide to keep clean water and also add it when the pool is filled with new water.

Formats: Liquid 5Lt. and 25 Lt.



Steam Generators & Accessories

Steam Generators - Domestic Use

Model	Output'	RECOMMENDED STEAM ROOM SIZE (m ²)						Steam output capacity	230 V 1N~		400 V 3N~	
		LIGHT WALL		Tiled light wall		Tiled stone wall, etc			Cable mm ²	Fuse A	Cable mm ²	Fuse A
HGX2	2,2 kW	2 - 4	2 - 4	2 - 4	2 - 4	2 - 4	2 - 4	2,0 kg/h	3x1,5	10	-	-
HGX45	4,5 kW	2 - 5	2 - 5	2 - 5	2 - 7	2-3,5	2-4,5	5,5 kg/h	3 x 6	25	5x1,5	3x10
HGX60	5,7 kW	2,5-8	3,5-11	2 - 6	3 - 9	2 - 5	2-7,5	7,6 kg/h	3 x 6	25	5x1,5	3x10
HGX90	9,0 kW	6-12	9-17	4,5-10	7,5-14	3 - 8	6-11,5	12,0 kg/h	-	-	5x2,5	3x16
HGX11	10,8 kW	10-14,5	15-21	8-12	12-17	6-10	10-14	14,6 kg/h	-	-	5x2,5	3x16
HGX15	15,0 kW	12-19,7	17-28	10-16	14-23	8-13,5	12-18,5	20,1 kg/h	-	-	5 x 6	3x25

If cubicle is not square allow 0.5kW for masonry materials and 0.25kW for plastic materials per square meter of surface created. These examples are for a cubicle at 40°C.



Steam Generators - Domestic

Code	Description
CX-40	4KW , 220V , 50HZ with CX-135 controller
CX-60	6KW , 220V , 50HZ with CX-135 controller
CX-90	9KW , 380V , 50HZ with CX-135 controller

Commercial Steam Generator Sizing Chart

Capacity	Cubicle size for masonry materials M	Cubicle size for plastic materials M	Supply Current Amps	Power Supply 1 phase	Power Supply 3 phase
6kW	2.5-8.0m ²	4.0-15.0m ²	25	4.0mm.sq	1.5mm.sq
9kW	7.0-16.0m ²	13.0-24.0m ²	38	6.0mm.sq	1.5mm.sq
12kW	14.0-20.0m ²	22.0-30.0m ²	50	3 Phase	4.0mm.sq
18kW	18.0-30.0m ²	28.0-40.0m ²	76	3 Phase	4.0mm.sq
24kW	28.0-40.0m ²	38.0-50.0m ²	100	3 Phase	4.0mm.sq

If cubicle is not square allow 0.5kW for masonry materials and 0.25kW for plastic materials per square meter of surface created. These examples are for a cubicle at 40°C.

Commercial Steam Generators

Code	Description
CX-80831	12kw / 380v / 50hz white ks 200A commercial
CX-80832	24kw / 380v / 50hz white ks 200A commercial

All Steam Generators include: steam generator, control panel, temperature sensor and 1 x steam nozzle.



Commercial Steam Generator KSA200



Commercial Steam Generator

Sauna Heaters & Control Panels



Vega Domestic



Vega Pro Heater Commercial



Sauna Control



Sauna Stones

Domestic Heaters-Vega - Built-in Control

Code	Model	Description	Stone
CX-80801	BC45	Vega 4.5kW heater with controls	25kg
CX-80802	BC60	Vega 6kW heater with controls	25kg
CX-80803	BC80	Vega 8kW heater with controls	25kg
CX-80804	BC90	Vega 9kW heater with controls	25kg

Commercial Heater - Vega Pro

Code	Model	Description
CX-80805	BC105	Vega Pro 10.5Kw heater only-add stones 60kg + control panel
CX-80806	BC135	Vega Pro 13.5Kw heater only-add stones 60kg + control panel
CX-80807	BC165	Vega Pro 16.5Kw heater only-add stones 60kg + control panel

VEGA & VEGA Pro Specifications

Code	Model	Power KW	Room Area m ³	Specification (mm) BCE Length: 270mm	Stone kg	400V 2N Cable square mm ² Several	FUA
CX-80801	BC45	4.5	3-6	480 x 310 x 540	25	5 x 1.5	3 x 10
CX-80802	BC60	6.0	5-8	480 x 310 x 540	25	5 x 1.5	3 x 10
CX-80803	BC80	8.0	7-12	480 x 310 x 540	25	5 x 2.5	3 x 16
CX-80804	BC90	9.0	8-14	480 x 310 x 540	25	5 x 2.5	3 x 16
CX-80805	BC105E	10.5	9-15	470 x 435 x 640	40-50	5 x 2.5	3 x 16
CX-80806	BC135E	13.5	11-20	470 x 435 x 640	40-50	5 x 4.0	3 x 20
CX-80807	BC165E	16.5	16-30	470 x 435 x 640	40-50	5 x 4.0	3 x 25

Sauna Controls For Commercial Heaters

Code	Model	Description
CX-80808	SHCON150	Control Panel For Club & Hidden Heaters
CX-80809	CX-180M400	Digital Touch Control System

Sauna Stones

Code	Model	Description
CX-WZ-02	SSA017	Sauna stones - 25kg

Sauna Accessories



CX-WZ-01
Woodenpail



CX-WZ-04C
Stainless Steel



CX-WZ-04
Handicraft Sauna

Sauna Bucket & Ladle

Code	Description
CX-WZ-01	Sauna Tub and scoop with plastic liner-puplar
CX-WZ-04C	Luxury Stainless steel sauna tub and scoop
CX-WZ-04	Handicraft Sauna tub and scoop-poplar



CX-WZ-06
Sandglass Timer



CX-WJ-05
Wooden Sand Timer



CX-WJ-12
Wooden Analog Clock

Sauna Sand Glass Timer

Code	Description
CX-WZ-06	Sandglass Timer
CX-WJ-05	Wooden Sand Timer
CX-WJ-12	Wooden Analog Clock



CX-WJ-06
Wooden
Thermo-Hygrometer



CX-WJ-07
Metalic
Thermo-Hygrometer



CX-WJ-03
Wooden
Square Thermometer

Sauna Hygro-Thermometer

Code	Description
CX-WJ-06	Wooden Thermo-Hygrometer
CX-WJ-07	Metalic Thermo-Hygrometer
CX-WJ-03	Wooden Square Thermometer



CX-FD-01
Explosion-Proof Lamp



CX-FD-02
Explosion -Proof Lamp

Sauna Explosion proof Light

Code	Description
CX-FD-01	Explosion-Proof Lamp
CX-FD-02	Explosion -Proof Lamp



CX-WZ-02
Sauna Stone

Sauna Stone

Code	Description
CX-WZ-02	Sauna Stone

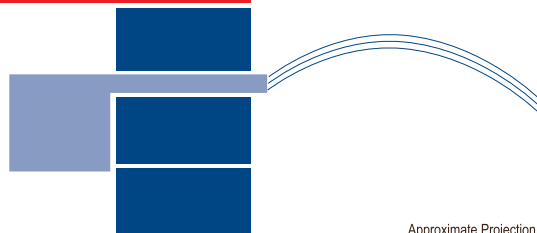
SUPERIOR CLEAR LIP SHEER DECENT AND SHEER WALLS

Whether you desire a sheer decent or a sheerwall, Sheer decent have the model to suit your needs. Available in a wide range of sizes to suit various wall lengths and widths, Sheer Decent is suitable for existing and new feature walls. Sheer Decent and Sheer wall both feature 'Clear Lip' construction leaving no painting or hiding of unsightly coloured lips in your feature wall. The Clear Lip construction enables the Sheer Decent to blend in to any wall regardless of its composition - even if you wish to tile around the Sheer Decent on your feature wall! For a spectacular feature in your backyard why not combine a few Sheer Decent at different heights and lengths and make a statement, there is nothing more peaceful and relaxing than listening to the sound of running water!

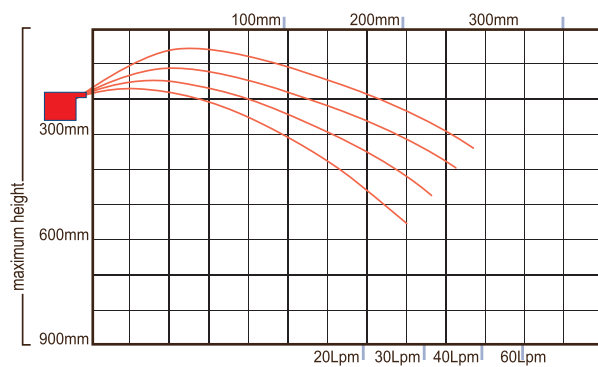


B 150mm Lip Extension

Designed to fit single brick walls during construction



Approximate Projection of Sheet of Water per 300mm of Waterfa II Length



YOU CAN SELECT THE COLOR OPTIONS OF THE WATER BLADE FROM ABOVE, WITH REMOTE CONTROL.



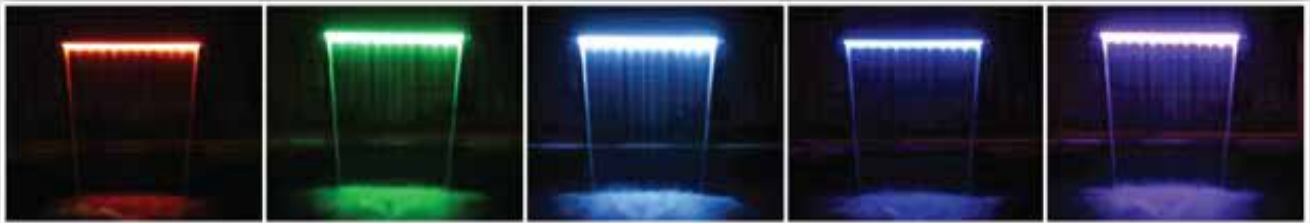
BLADE / TILES

Code	Bottom inlet	Rear inlet	Product Length mm	Product Length mm	Product Length mm
CX-809	CX-W5210	CX-W5215	300	300	300
CX-810	CX-W5220	CX-W5225	600	600	600
CX-811	CX-W5230	CX-W5235	900	900	900
CX-812	CX-W5240	CX-W5245	1200	1200	1200

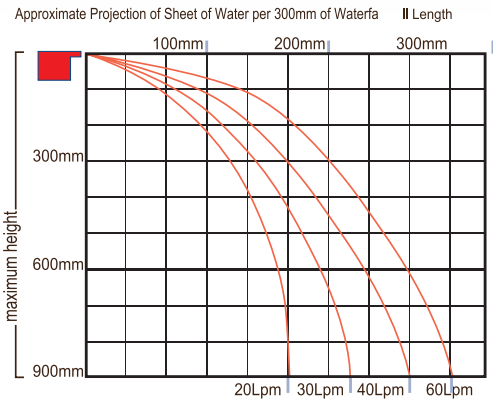
WATER BLADE

SUPERIOR CLEAR LIP WATER FALLS AND WATER WALLS

Whether you desire a waterfall or a Water blade, Water blade have the model to suit your needs. Available in a wide range of sizes to suit various wall lengths and widths, Water blade is suitable for existing and new feature walls. Waterblade and Waterwall both feature 'Clear Lip' construction leaving no painting or hiding of unsightly coloured lips in your feature wall. The Clear Lip construction enables the Water blade to blend in to any wall regardless of its composition - even if you wish to tile around the Water blade on your feature wall! For a spectacular feature in your backyard why not combine a few Water blades at different heights and lengths and make a statement, there is nothing more peaceful and relaxing than listening to the sound of running water!



YOU CAN SELECT THE COLOR OPTIONS OF THE WATER BLADE FROM ABOVE, WITH REMOTE CONTROL.



SS Water Blade

ACRYLIC Water Blade

SPECIFICATIONS:

Code	Bottom inlet	Rear inlet	Connection Size	Product Size L	mm W	H	Flow
CX-801	CX-W2010	CX-W2015	1.5"	300	115	125	17gpm
CX-802	CX-W2020	CX-W2025	1.5"	600	115	125	34gpm
CX-803	CX-W2030	CX-W2035	1.5"	900	115	125	50gpm
CX-804	CX-W2040	CX-W2045	1.5"	1200	115	125	67gpm

Code	Bottom inlet	Rear inlet	Connection Size	Product Size L	mm W	H	Flow
CX-805	CX-W5010	CX-W5015	1.5"	300	195	100	17gpm
CX-806	CX-W5020	CX-W5025	1.5"	600	195	100	34gpm
CX-807	CX-W5030	CX-W5035	1.5"	900	195	100	50gpm
CX-808	CX-W5040	CX-W5045	1.5"	1200	195	100	67gpm

BLADE / TILES