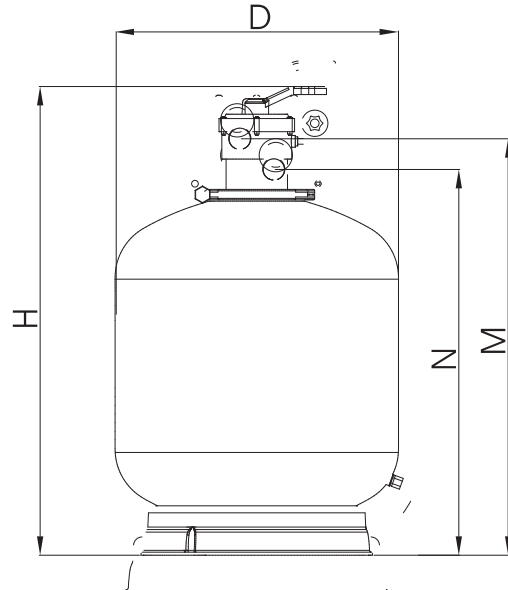


Bobbin Top mount sand filter Robust and effective



- **Bobbin-T filters** are well recognized for their strength and reliability.
- The filter tank is made of an inner fiberglass with a high pressure capability.
- The gel coat layer is then continuously wound with fiber glass strands to create a high strength vessel.
- This process is recognized as one of the strongest methods of manufacturing a non corrosive high strength filter tank.
- All components are injection moulded from high strength engineering plastics.
- The multiport valve is fixed with a clamp system that is easy to remove and quickly locks in place.
- The maximum working pressure is 2.5kgs/cm.
- **Bobbin-T Filters** go together with valve for models using 1.5" and 2" connections.

Inner component materials are made of the latest generation of plastic resins.

Code	Description	Ø Filter D mm	Size			Connections	Flow rate m ³ /h	Pool (volume) m ³ (8 hours)	Sand (kgs)	Max working pressure kg/cm ²	Net weight (kgs)
			H mm	M mm	N mm						
CX-10401	400mm(16") Sand filter with 1.5" valve	400	820	710	650	1.5"	6	48	50	2,5	12
CX-10402	500mm(20") Sand filter with 1.5" valve	500	895	785	725	1.5"	10	80	100	2,5	16
CX-10403	600mm(24") Sand filter with 1.5" valve	600	980	880	820	1.5"	14	112	150	2,5	18,5