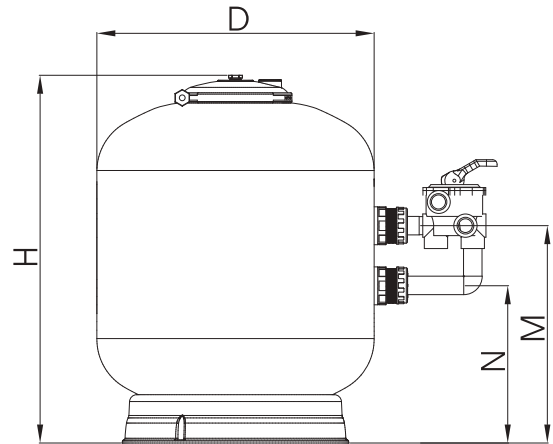


Bobbin side mount sand filter. Robust and effective.



- The filter tank is made of an inner fiberglass with a high pressure capability.
- The gel coat layer is then continuously wound with fiber glass strands to create a high strength vessel.
- This process is recognize as one of the strongest methods of manufacturing a non corrosive high strength filter tank.
- All components are injection moulded from high strength engineering plastics.
- Available from 460mm/18" upto 900mm/36".
- Inner component materials are made of the latest generation plastic resins.
- The cover is fixed with a clamp system that is easy to rmove and quickly locks in place.
- The maximum working pressure is 2.5kgs/cm.
- Sand filters go together with valve for models using 1.5" and 2" connections.

Bobbin-S sand filters are well recognized for their strength and reliability

Code	Description	ø Filter D mm	Size			Connections	Flow rate m ³ /h	Pool (volume) m ³ (8 hours)	Sand (kgs)	Max working pressure kg/cm ²	Net weight (kgs)
			H mm	A mm	B mm						
CX-10501	460mm(18") Sand filter with 1.5" valve	460	590	418	282	1.5"	8	64	75	3	15
CX-10502	700mm(28") Sand filter with 2" valve	700	855	515	285	2"	21	168	200	2,5	20,6
CX-10503	900mm(36") Sand filter with 2" valve	900	1030	675	405	2"	24	192	410	2,5	28,6